

MRP-C 13 Quick-close refrigeration pipe clamp



Applications

- Fastening cold water and chilled water pipes up to 168 mm diameter
- Mounting pipes in refrigeration and air conditioning applications with pipes of various materials
- Recommended for use in dry, interior environments

Advantages

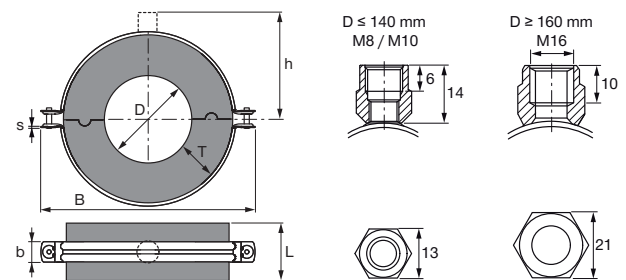
- Designed for an insulation thickness of 13 mm with joint-to-pipe insulation material (elastomeric caoutchouc)
- 360° mounting – the load capacity is achieved no matter how the core is rotated inside the pipe clamp
- Adhesive foil can be released very easily, even when wearing gloves
- Thermal insulation helps to prevent condensation on the surface and the integrated vapor barrier to help prevent thermal short circuits
- Compensation feature helps to prevent buckling and lifting of the outer foil when closing the pipe clamp
- All components supplied in one package for quick and easy handling on site



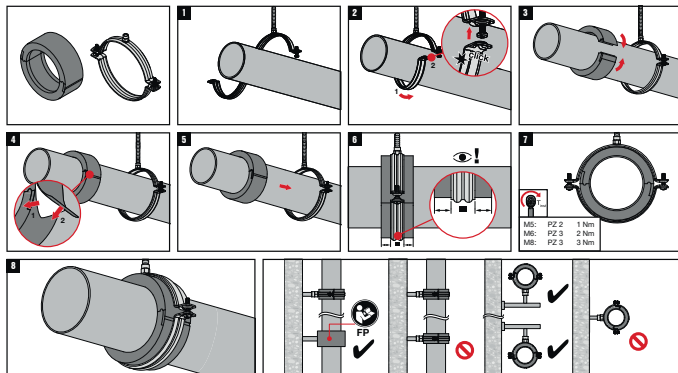
Technical data

Material composition	Closed-cell CFC-free polyisocyanurate foam (PIR), flexible elastomer foam, outside PVC-foil with vapor barrier layer
Surface finish	Indoor Coated - Electro Galvanized
Environmental conditions	Dry indoor conditions (C1) Indoor with temporary condensation (C2)
Temperature resistance	-40°C - 105°C
Noise reduction	> 22,7 dB(A)
Thermal conductivity (λ approx. value)	0,034 W/mK
Approx. Density	120 kg/m ³
Compressive strength	1,2 N/mm ²
Diffusion Resistance	μ ≥ 7000
Locking type	Two bolts locking
Test reports / Approvals	Sound tested acc. DIN 4109 Building material class acc. EN-13501-1: • Class E • up to BL-s1, d0 in combination with the line insulation*

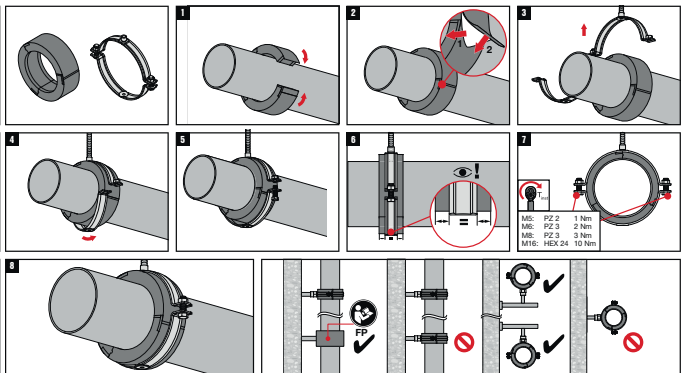
* please check the respective classification reports



MRP-C ≤ 114



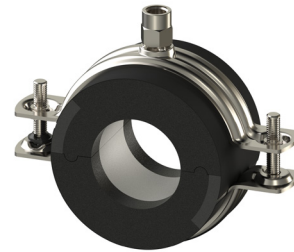
MRP-C ≥ 125



MRP-C 13 Quick-close refrigeration pipe clamp

Order Designation	Diameter - D	Nominal Pipe Size (imperial)	Thread connection - M	Width - B	Insulation cross-section (L x T)	Distance center to top - h	Maximum load - F	Clamping screw	Sales pack quantity	Item number
MRP-C 13/10	10,2 mm		M8/M10	72 mm	45 x 13 mm	38 mm	40 N	M5	50 pcs	2408031
MRP-C 13/12	12 mm		M8/M10	78 mm	45 x 13 mm	42 mm	40 N	M5	50 pcs	2408032
MRP-C 13/14	13,5 mm		M8/M10	78 mm	45 x 13 mm	42 mm	40 N	M5	50 pcs	2408033
MRP-C 13/15	15 mm		M8/M10	78 mm	45 x 13 mm	42 mm	50 N	M5	50 pcs	2408034
MRP-C 13/16	15,8 mm		M8/M10	78 mm	45 x 13 mm	42 mm	50 N	M5	50 pcs	2408035
MRP-C 13/17	17,2 mm	3/8 in	M8/M10	78 mm	45 x 13 mm	42 mm	50 N	M5	50 pcs	2408036
MRP-C 13/18	18,2 mm		M8/M10	89 mm	45 x 13 mm	46 mm	50 N	M5	50 pcs	2408037
MRP-C 13/20	20 mm		M8/M10	89 mm	45 x 13 mm	46 mm	75 N	M5	50 pcs	2408038
MRP-C 13/21	21,3 mm	1/2 in	M8/M10	89 mm	45 x 13 mm	46 mm	75 N	M5	50 pcs	2408039
MRP-C 13/22	22 mm		M8/M10	89 mm	45 x 13 mm	46 mm	75 N	M5	50 pcs	2408130
MRP-C 13/25	25 mm		M8/M10	89 mm	45 x 13 mm	46 mm	75 N	M5	50 pcs	2408131
MRP-C 13/26	26,9 mm	3/4 in	M8/M10	96 mm	45 x 13 mm	50 mm	75 N	M5	50 pcs	2408132
MRP-C 13/28	28 mm		M8/M10	96 mm	45 x 13 mm	50 mm	75 N	M5	50 pcs	2408133
MRP-C 13/32	32 mm		M8/M10	96 mm	45 x 13 mm	50 mm	135 N	M5	50 pcs	2408134
MRP-C 13/33	33,7 mm	1 in	M8/M10	104 mm	45 x 13 mm	53 mm	135 N	M5	20 pcs	2408135
MRP-C 13/35	35 mm		M8/M10	104 mm	50 x 13 mm	53 mm	135 N	M5	20 pcs	2408136
MRP-C 13/40	40 mm		M8/M10	113 mm	50 x 13 mm	57 mm	180 N	M5	20 pcs	2408137
MRP-C 13/42	42,4 mm	1-1/4 in	M8/M10	113 mm	50 x 13 mm	57 mm	180 N	M5	20 pcs	2408138
MRP-C 13/48	48,3 mm	1-1/2 in	M8/M10	130 mm	50 x 13 mm	62 mm	220 N	M6	20 pcs	2408139
MRP-C 13/50	50 mm		M8/M10	130 mm	50 x 13 mm	62 mm	220 N	M6	20 pcs	2408140
MRP-C 13/54	54 mm		M8/M10	130 mm	50 x 13 mm	62 mm	220 N	M6	20 pcs	2408141
MRP-C 13/57	57 mm		M8/M10	140 mm	50 x 13 mm	67 mm	250 N	M6	20 pcs	2408142
MRP-C 13/60	60,3 mm	2 in	M8/M10	140 mm	50 x 13 mm	67 mm	350 N	M6	20 pcs	2408143
MRP-C 13/63	63,5 mm		M8/M10	140 mm	50 x 13 mm	67 mm	350 N	M6	20 pcs	2408144
MRP-C 13/64	64 mm		M8/M10	140 mm	50 x 13 mm	67 mm	350 N	M6	20 pcs	2408145
MRP-C 13/66	66,7 mm		M8/M10	149 mm	50 x 13 mm	72 mm	350 N	M6	20 pcs	2408146
MRP-C 13/75	75 mm		M8/M10	160 mm	55 x 13 mm	76 mm	500 N	M6	20 pcs	2408147
MRP-C 13/76	76,1 mm	2-1/2 in	M8/M10	160 mm	55 x 13 mm	76 mm	500 N	M6	20 pcs	2408148
MRP-C 13/88	88,9 mm	3 in	M8/M10	169 mm	55 x 13 mm	81 mm	650 N	M6	10 pcs	2408149
MRP-C 13/90	90 mm		M8/M10	169 mm	55 x 13 mm	81 mm	650 N	M6	10 pcs	2408150
MRP-C 13/108	108 mm		M8/M10	190 mm	55 x 13 mm	92 mm	700 N	M6	10 pcs	2408151
MRP-C 13/110	110 mm		M8/M10	200 mm	60 x 13 mm	97 mm	700 N	M6	10 pcs	2408152
MRP-C 13/114	114,3 mm	4 in	M8/M10	200 mm	60 x 13 mm	97 mm	1050 N	M6	10 pcs	2408153
MRP-C 13/125	125 mm		M8/M10	210 mm	60 x 13 mm	102 mm	1100 N	M6	10 pcs	2408154
MRP-C 13/133	133 mm		M8/M10	223 mm	60 x 13 mm	107 mm	1150 N	M6	10 pcs	2408155
MRP-C 13/140	140 mm	5 in	M8/M10	232 mm	60 x 13 mm	111 mm	1150 N	M6	10 pcs	2408156
MRP-C 13/160	159-160 mm		M 16	244 mm	60 x 13 mm	117 mm	1350 N	M8	10 pcs	2408157
MRP-C 13/168	168,3 mm	6 in	M 16	254 mm	60 x 13 mm	122 mm	1350 N	M8	6 pcs	2408158

MRP-C 19 Quick-close refrigeration pipe clamp



Applications

- Fastening cold water and chilled water pipes up to 219 mm diameter
- Mounting pipes in refrigeration and air conditioning applications with pipes of various materials
- Recommended for use in dry, interior environments

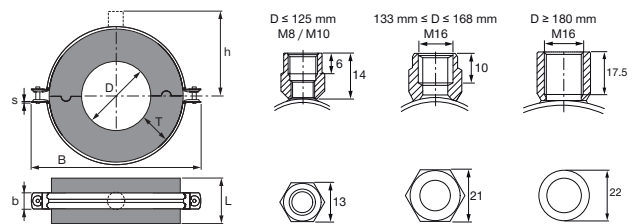
Advantages

- Designed for an insulation thickness of 19 mm with joint-to-pipe insulation material (elastomeric caoutchouc)
- 360° mounting – the load capacity is achieved no matter how the core is rotated inside the pipe clamp
- Adhesive foil can be released very easily, even when wearing gloves
- Thermal insulation helps to prevent condensation on the surface and the integrated vapor barrier to help prevent thermal short circuits
- Compensation feature helps to prevent buckling and lifting of the outer foil when closing the pipe clamp
- All components supplied in one package for quick and easy handling on site

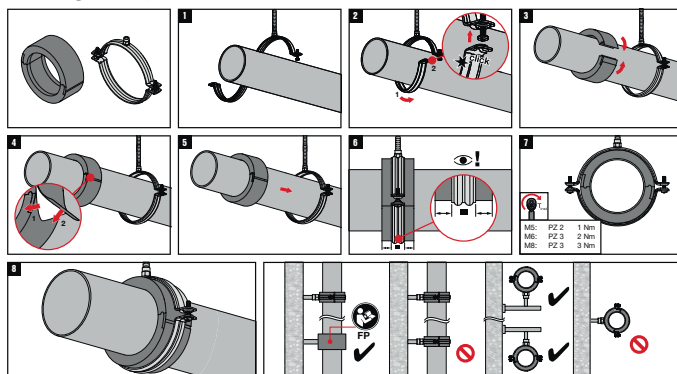
Technical data

Material composition	Closed-cell CFC-free polyisocyanurate foam (PIR), flexible elastomer foam, outside PVC-foil with vapor barrier layer
Surface finish	Indoor Coated - Electro Galvanized
Environmental conditions	Dry indoor conditions (C1) Indoor with temporary condensation (C2)
Temperature resistance	-40°C - 105°C
Noise reduction	> 22,7 dB(A)
Thermal conductivity (λ approx. value)	0,034 W/mK
Approx. Density	120 kg/m ³
Compressive strength	1,2 N/mm ²
Diffusion Resistance	μ ≥ 7000
Locking type	Two bolts locking
Test reports / Approvals	Sound tested acc. DIN 4109 Building material class acc. EN-13501-1: • Class E • up to BL-s1, d0 in combination with the line insulation*

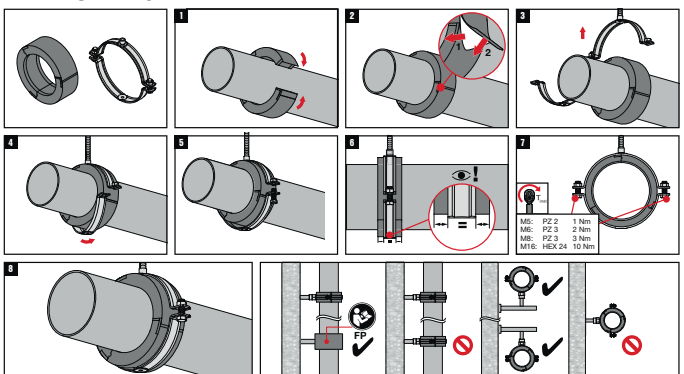
* please check the respective classification reports



MRP-C ≤ 114



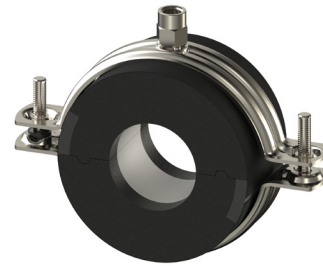
MRP-C ≥ 125



MRP-C 19 Quick-close refrigeration pipe clamp

Order Designation	Diameter - D	Nominal Pipe Size (imperial)	Thread connection - M	Width - B	Insulation cross-section (L x T)	Distance center to top - h	Maximum load - F	Clamping screw	Sales pack quantity	Item number
MRP-C 19/10	10,2 mm		M8/M10	89 mm	45 x 19 mm	46 mm	40 N	M5	50 pcs	2408159
MRP-C 19/12	12 mm		M8/M10	89 mm	45 x 19 mm	46 mm	40 N	M5	50 pcs	2408160
MRP-C 19/14	13,5 mm		M8/M10	96 mm	45 x 19 mm	50 mm	40 N	M5	50 pcs	2408161
MRP-C 19/15	15 mm		M8/M10	96 mm	45 x 19 mm	50 mm	50 N	M5	50 pcs	2408162
MRP-C 19/16	15,8 mm		M8/M10	96 mm	45 x 19 mm	50 mm	50 N	M5	50 pcs	2408163
MRP-C 19/17	17,2 mm	3/8 in	M8/M10	96 mm	45 x 19 mm	50 mm	50 N	M5	50 pcs	2408164
MRP-C 19/18	18,2 mm		M8/M10	96 mm	45 x 19 mm	50 mm	50 N	M5	50 pcs	2408165
MRP-C 19/20	20 mm		M8/M10	104 mm	45 x 19 mm	53 mm	75 N	M5	20 pcs	2408166
MRP-C 19/21	21,3 mm	1/2 in	M8/M10	104 mm	45 x 19 mm	53 mm	75 N	M5	20 pcs	2408167
MRP-C 19/22	22 mm		M8/M10	104 mm	45 x 19 mm	53 mm	75 N	M5	20 pcs	2408168
MRP-C 19/25	25 mm		M8/M10	104 mm	45 x 19 mm	53 mm	75 N	M5	20 pcs	2408169
MRP-C 19/26	26,9 mm	3/4 in	M8/M10	104 mm	45 x 19 mm	53 mm	75 N	M5	20 pcs	2408170
MRP-C 19/28	28 mm		M8/M10	104 mm	45 x 19 mm	53 mm	75 N	M5	20 pcs	2408171
MRP-C 19/32	32 mm		M8/M10	113 mm	45 x 19 mm	57 mm	135 N	M5	20 pcs	2408172
MRP-C 19/33	33,7 mm	1 in	M8/M10	113 mm	45 x 19 mm	57 mm	135 N	M5	20 pcs	2408173
MRP-C 19/35	35 mm		M8/M10	130 mm	50 x 21 mm	62 mm	135 N	M6	20 pcs	2408174
MRP-C 19/40	40 mm		M8/M10	130 mm	50 x 19 mm	62 mm	180 N	M6	20 pcs	2408175
MRP-C 19/42	42,4 mm	1-1/4 in	M8/M10	130 mm	50 x 19 mm	62 mm	180 N	M6	20 pcs	2408176
MRP-C 19/48	48,3 mm	1-1/2 in	M8/M10	140 mm	50 x 19 mm	67 mm	220 N	M6	20 pcs	2408177
MRP-C 19/50	50 mm		M8/M10	140 mm	50 x 19 mm	67 mm	220 N	M6	20 pcs	2408178
MRP-C 19/54	54 mm		M8/M10	149 mm	50 x 19,5 mm	72 mm	220 N	M6	20 pcs	2408179
MRP-C 19/57	57 mm		M8/M10	149 mm	50 x 19 mm	72 mm	250 N	M6	20 pcs	2408180
MRP-C 19/60	60,3 mm	2 in	M8/M10	149 mm	50 x 19 mm	72 mm	350 N	M6	20 pcs	2408181
MRP-C 19/63	63,5 mm		M8/M10	160 mm	50 x 19 mm	76 mm	350 N	M6	20 pcs	2408182
MRP-C 19/64	64 mm		M8/M10	160 mm	50 x 19 mm	76 mm	350 N	M6	20 pcs	2408183
MRP-C 19/66	66,7 mm		M8/M10	160 mm	50 x 19 mm	76 mm	350 N	M6	20 pcs	2408184
MRP-C 19/75	75 mm		M8/M10	169 mm	55 x 19 mm	81 mm	500 N	M6	10 pcs	2408185
MRP-C 19/76	76,1 mm	2-1/2 in	M8/M10	169 mm	55 x 19 mm	81 mm	500 N	M6	10 pcs	2408186
MRP-C 19/88	88,9 mm	3 in	M8/M10	190 mm	55 x 19,6 mm	92 mm	650 N	M6	10 pcs	2408187
MRP-C 19/90	90 mm		M8/M10	190 mm	55 x 19 mm	92 mm	650 N	M6	10 pcs	2408188
MRP-C 19/108	108 mm		M8/M10	210 mm	55 x 20 mm	102 mm	700 N	M6	10 pcs	2408189
MRP-C 19/110	110 mm		M8/M10	210 mm	60 x 19 mm	102 mm	700 N	M6	10 pcs	2408190
MRP-C 19/114	114,3 mm	4 in	M8/M10	210 mm	60 x 19 mm	102 mm	1050 N	M6	10 pcs	2408191
MRP-C 19/125	125 mm		M8/M10	232 mm	60 x 20 mm	111 mm	1100 N	M6	10 pcs	2408192
MRP-C 19/133	133 mm		M16	111 mm	60 x 19 mm	111 mm	1150 N	M8	10 pcs	2408193
MRP-C 19/140	140 mm	5 in	M16	235 mm	60 x 19 mm	112 mm	1150 N	M8	6 pcs	2408194
MRP-C 19/160	159-160 mm		M16	254 mm	60 x 19 mm	122 mm	1350 N	M8	6 pcs	2408195
MRP-C 19/168	168,3 mm	6 in	M16	263 mm	60 x 21 mm	127 mm	1350 N	M8	6 pcs	2408196
MRP-C 19/180	180 mm		M16	318 mm	60 x 19 mm	140 mm	2500 N	M16	4 pcs	2408197
MRP-C 19/200	200 mm		M16	330 mm	80 x 19 mm	146 mm	2500 N	M16	4 pcs	2408198
MRP-C 19/219	219,1 mm	8 in	M16	355 mm	80 x 22 mm	158 mm	2850 N	M16	4 pcs	2408199

MRP-C 25 Quick-close refrigeration pipe clamp



Applications

- Fastening cold water and chilled water pipes up to 219 mm diameter
- Mounting pipes in refrigeration and air conditioning applications with pipes of various materials
- Recommended for use in dry, interior environments

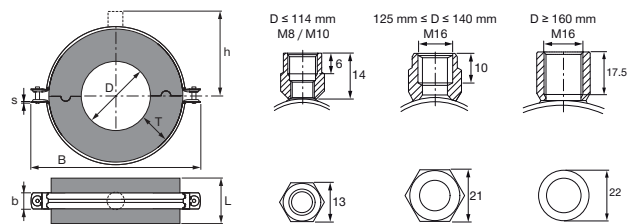
Advantages

- Designed for an insulation thickness of 25 mm with joint-to-pipe insulation material (elastomeric caoutchouc)
- 360° mounting – the load capacity is achieved no matter how the core is rotated inside the pipe clamp
- Adhesive foil can be released very easily, even when wearing gloves
- Thermal insulation helps to prevent condensation on the surface and the integrated vapor barrier to help prevent thermal short circuits
- Compensation feature helps to prevent buckling and lifting of the outer foil when closing the pipe clamp
- All components supplied in one package for quick and easy handling on site

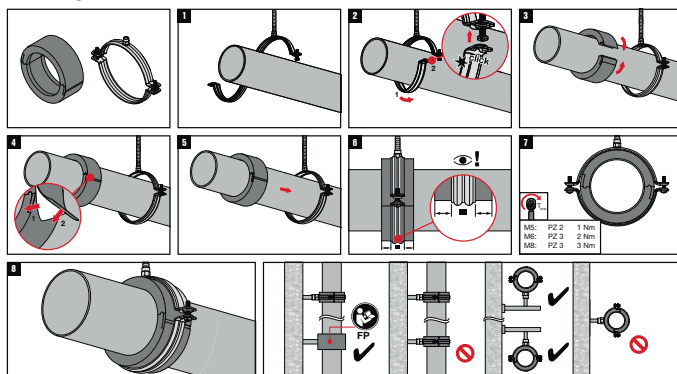
Technical data

Material composition	Closed-cell CFC-free polyisocyanurate foam (PIR), flexible elastomer foam, outside PVC-foil with vapor barrier layer
Surface finish	Indoor Coated - Electro Galvanized
Environmental conditions	Dry indoor conditions (C1) Indoor with temporary condensation (C2)
Temperature resistance	-40°C - 105°C
Noise reduction	> 22,7 dB(A)
Thermal conductivity (λ approx. value)	0,034 W/mK
Approx. Density	120 kg/m ³
Compressive strength	1,2 N/mm ²
Diffusion Resistance	μ ≥ 7000
Locking type	Two bolts locking
Test reports / Approvals	Sound tested acc. DIN 4109 Building material class acc. EN-13501-1: • Class E • up to BL-s1, d0 in combination with the line insulation*

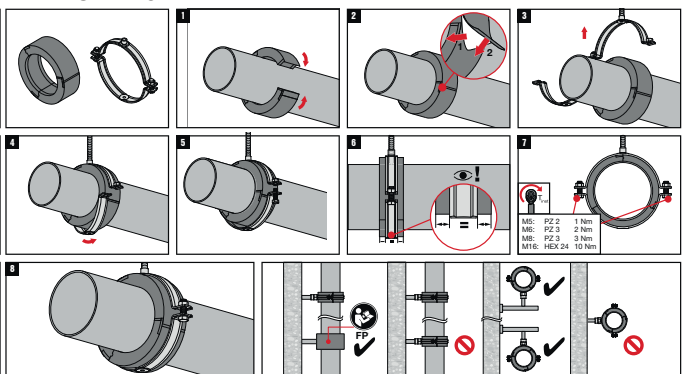
* please check the respective classification reports



MRP-C ≤ 114



MRP-C ≥ 125



MRP-C 25 Quick-close refrigeration pipe clamp

Order Designation	Diameter - D	Nominal Pipe Size (imperial)	Thread connection - M	Width - B	Insulation cross-section (L x T)	Distance center to top - h	Maximum load - F	Clamping screw	Sales pack quantity	Item number
MRP-C 25/10	10,2 mm		M8/M10	104 mm	45 x 25 mm	53 mm	40 N	M5	20 pcs	2408200
MRP-C 25/12	12 mm		M8/M10	104 mm	45 x 25 mm	53 mm	40 N	M5	20 pcs	2408201
MRP-C 25/14	13,5 mm		M8/M10	104 mm	45 x 25 mm	53 mm	40 N	M5	20 pcs	2408202
MRP-C 25/15	15 mm		M8/M10	104 mm	45 x 25 mm	53 mm	50 N	M5	20 pcs	2408203
MRP-C 25/16	15,8 mm		M8/M10	113 mm	45 x 25 mm	57 mm	50 N	M5	20 pcs	2408204
MRP-C 25/17	17,2 mm	3/8 in	M8/M10	113 mm	45 x 25 mm	57 mm	50 N	M5	20 pcs	2408205
MRP-C 25/18	18,2 mm		M8/M10	113 mm	45 x 25 mm	57 mm	50 N	M5	20 pcs	2408206
MRP-C 25/20	20 mm		M8/M10	113 mm	45 x 25 mm	57 mm	75 N	M5	20 pcs	2408207
MRP-C 25/21	21,3 mm	1/2 in	M8/M10	113 mm	45 x 25 mm	57 mm	75 N	M5	20 pcs	2408208
MRP-C 25/22	22 mm		M8/M10	113 mm	45 x 25 mm	57 mm	75 N	M5	20 pcs	2408209
MRP-C 25/25	25 mm		M8/M10	130 mm	45 x 25 mm	62 mm	75 N	M6	20 pcs	2408210
MRP-C 25/26	26,9 mm	3/4 in	M8/M10	130 mm	45 x 25 mm	62 mm	75 N	M6	20 pcs	2408211
MRP-C 25/28	28 mm		M8/M10	130 mm	45 x 25 mm	62 mm	75 N	M6	20 pcs	2408212
MRP-C 25/32	32 mm		M8/M10	130 mm	45 x 25 mm	62 mm	135 N	M6	20 pcs	2408213
MRP-C 25/33	33,7 mm	1 in	M8/M10	140 mm	45 x 25 mm	67 mm	135 N	M6	20 pcs	2408214
MRP-C 25/35	35 mm		M8/M10	140 mm	50 x 25 mm	67 mm	135 N	M6	20 pcs	2408215
MRP-C 25/40	40 mm		M8/M10	140 mm	50 x 25 mm	67 mm	180 N	M6	20 pcs	2408216
MRP-C 25/42	42,4 mm	1-1/4 in	M8/M10	149 mm	50 x 25 mm	72 mm	180 N	M6	20 pcs	2408217
MRP-C 25/48	48,3 mm	1-1/2 in	M8/M10	149 mm	50 x 25 mm	72 mm	220 N	M6	20 pcs	2408218
MRP-C 25/50	50 mm		M8/M10	149 mm	50 x 25 mm	72 mm	220 N	M6	20 pcs	2408219
MRP-C 25/54	54 mm		M8/M10	160 mm	50 x 25 mm	76 mm	220 N	M6	20 pcs	2408220
MRP-C 25/57	57 mm		M8/M10	160 mm	50 x 25 mm	76 mm	250 N	M6	20 pcs	2408221
MRP-C 25/60	60,3 mm	2 in	M8/M10	169 mm	50 x 25 mm	81 mm	350 N	M6	20 pcs	2408222
MRP-C 25/63	63,5 mm		M8/M10	169 mm	50 x 25 mm	81 mm	350 N	M6	20 pcs	2408223
MRP-C 25/64	64 mm		M8/M10	169 mm	50 x 25 mm	81 mm	350 N	M6	20 pcs	2408224
MRP-C 25/66	66,7 mm		M8/M10	169 mm	50 x 25 mm	81 mm	350 N	M6	20 pcs	2408225
MRP-C 25/75	75 mm		M8/M10	179 mm	55 x 25 mm	86 mm	500 N	M6	10 pcs	2408226
MRP-C 25/76	76,1 mm	2-1/2 in	M8/M10	190 mm	55 x 25 mm	92 mm	500 N	M6	10 pcs	2408227
MRP-C 25/88	88,9 mm	3 in	M8/M10	200 mm	55 x 25 mm	97 mm	650 N	M6	10 pcs	2408228
MRP-C 25/90	90 mm		M8/M10	200 mm	55 x 25 mm	97 mm	650 N	M6	10 pcs	2408229
MRP-C 25/108	108 mm		M8/M10	223 mm	55 x 25 mm	107 mm	700 N	M6	10 pcs	2408230
MRP-C 25/110	110 mm		M8/M10	223 mm	60 x 25 mm	107 mm	700 N	M6	10 pcs	2408231
MRP-C 25/114	114,3 mm	4 in	M8/M10	232 mm	60 x 25 mm	111 mm	1050 N	M6	10 pcs	2408232
MRP-C 25/125	125 mm		M16	235 mm	60 x 25 mm	112 mm	1100 N	M8	10 pcs	2408233
MRP-C 25/133	133 mm		M16	244 mm	60 x 25 mm	117 mm	1150 N	M8	10 pcs	2408234
MRP-C 25/140	140 mm	5 in	M16	254 mm	60 x 25 mm	122 mm	1150 N	M8	6 pcs	2408235
MRP-C 25/160	159-160 mm		M16	309 mm	60 x 25 mm	135 mm	1350 N	M16	6 pcs	2408236
MRP-C 25/168	168,3 mm	6 in	M16	318 mm	60 x 25 mm	140 mm	1350 N	M16	6 pcs	2408237
MRP-C 25/180	180 mm		M16	330 mm	60 x 25 mm	146 mm	2500 N	M16	4 pcs	2408238
MRP-C 25/200	200 mm		M16	343 mm	80 x 25 mm	152 mm	2500 N	M16	4 pcs	2408239
MRP-C 25/219	219,1 mm	8 in	M16	363 mm	80 x 25 mm	162 mm	2850 N	M16	4 pcs	2408240

MRP-C 32 Quick-close refrigeration pipe clamp



Applications

- Fastening cold water and chilled water pipes up to 219 mm diameter
- Mounting pipes in refrigeration and air conditioning applications with pipes of various materials
- Recommended for use in dry, interior environments

Advantages

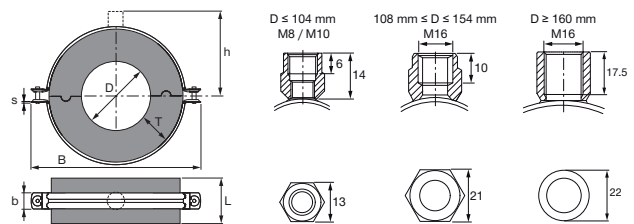
- Designed for an insulation thickness of 32 mm with joint-to-pipe insulation material (elastomeric caoutchouc)
- 360° mounting – the load capacity is achieved no matter how the core is rotated inside the pipe clamp
- Adhesive foil can be released very easily, even when wearing gloves
- Thermal insulation helps to prevent condensation on the surface and the integrated vapor barrier to help prevent thermal short circuits
- Compensation feature helps to prevent buckling and lifting of the outer foil when closing the pipe clamp
- All components supplied in one package for quick and easy handling on site



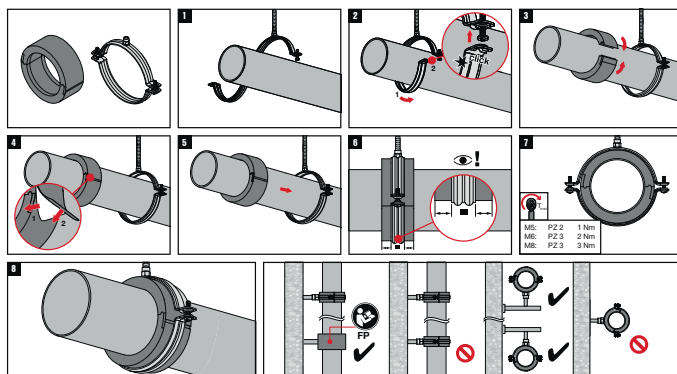
Technical data

Material composition	Closed-cell CFC-free polyisocyanurate foam (PIR), flexible elastomer foam, outside PVC-foil with vapor barrier layer
Surface finish	Indoor Coated - Electro Galvanized
Environmental conditions	Dry indoor conditions (C1) Indoor with temporary condensation (C2)
Temperature resistance	-40°C - 105°C
Noise reduction	> 22,7 dB(A)
Thermal conductivity (λ approx. value)	0,034 W/mK
Approx. Density	120 kg/m ³
Compressive strength	1,2 N/mm ²
Diffusion Resistance	μ ≥ 7000
Locking type	Two bolts locking
Test reports / Approvals	Sound tested acc. DIN 4109 Building material class acc. EN-13501-1: • Class E • up to BL-s1, d0 in combination with the line insulation*

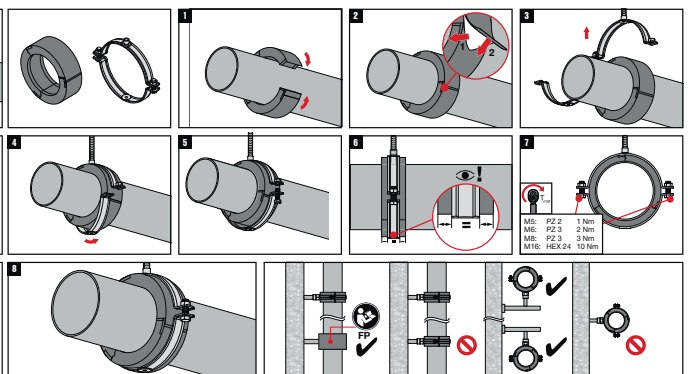
* please check the respective classification reports



MRP-C ≤ 114



MRP-C ≥ 125



MRP-C 32 Quick-close refrigeration pipe clamp

Order Designation	Diameter - D	Nominal Pipe Size (imperial)	Thread connection - M	Width - B	Insulation cross-section (L x T)	Distance center to top - h	Maximum load - F	Clamping screw	Sales pack quantity	Item number
MRP-C 32/10	10,2 mm		M8/M10	130 mm	45 x 32 mm	62 mm	40 N	M6	20 pcs	2408241
MRP-C 32/12	12 mm		M8/M10	130 mm	45 x 32 mm	62 mm	40 N	M6	20 pcs	2408242
MRP-C 32/14	13,5 mm		M8/M10	130 mm	45 x 32 mm	62 mm	40 N	M6	20 pcs	2408243
MRP-C 32/15	15 mm		M8/M10	130 mm	45 x 32 mm	62 mm	50 N	M6	20 pcs	2408244
MRP-C 32/16	15,8 mm		M8/M10	130 mm	45 x 32 mm	62 mm	50 N	M6	20 pcs	2408245
MRP-C 32/17	17,2 mm	3/8 in	M8/M10	130 mm	45 x 32 mm	62 mm	50 N	M6	20 pcs	2408246
MRP-C 32/18	18,2 mm		M8/M10	130 mm	45 x 32 mm	62 mm	50 N	M6	20 pcs	2408247
MRP-C 32/20	20 mm		M8/M10	140 mm	45 x 32 mm	67 mm	75 N	M6	20 pcs	2408248
MRP-C 32/21	21,3 mm	1/2 in	M8/M10	140 mm	45 x 32 mm	67 mm	75 N	M6	20 pcs	2408249
MRP-C 32/22	22 mm		M8/M10	140 mm	45 x 32 mm	67 mm	75 N	M6	20 pcs	2408250
MRP-C 32/25	25 mm		M8/M10	140 mm	45 x 32 mm	67 mm	75 N	M6	20 pcs	2408251
MRP-C 32/26	26,9 mm	3/4 in	M8/M10	140 mm	45 x 32 mm	67 mm	75 N	M6	20 pcs	2408252
MRP-C 32/28	28 mm		M8/M10	149 mm	45 x 32 mm	72 mm	75 N	M6	20 pcs	2408253
MRP-C 32/32	32 mm		M8/M10	149 mm	45 x 32 mm	72 mm	135 N	M6	20 pcs	2408254
MRP-C 32/33	33,7 mm	1 in	M8/M10	149 mm	45 x 32 mm	72 mm	135 N	M6	20 pcs	2408255
MRP-C 32/35	35 mm		M8/M10	149 mm	50 x 32 mm	72 mm	135 N	M6	20 pcs	2408256
MRP-C 32/40	40 mm		M8/M10	160 mm	50 x 32 mm	76 mm	180 N	M6	20 pcs	2408257
MRP-C 32/42	42,4 mm	1-1/4 in	M8/M10	160 mm	50 x 32 mm	76 mm	180 N	M6	20 pcs	2408258
MRP-C 32/48	48,3 mm	1-1/2 in	M8/M10	169 mm	50 x 32 mm	81 mm	220 N	M6	20 pcs	2408259
MRP-C 32/50	50 mm		M8/M10	169 mm	50 x 32 mm	81 mm	220 N	M6	20 pcs	2408260
MRP-C 32/54	54 mm		M8/M10	169 mm	50 x 32 mm	81 mm	220 N	M6	20 pcs	2408262
MRP-C 32/57	57 mm		M8/M10	179 mm	50 x 32 mm	86 mm	250 N	M6	20 pcs	2408263
MRP-C 32/60	60,3 mm	2 in	M8/M10	179 mm	50 x 32 mm	86 mm	350 N	M6	20 pcs	2408264
MRP-C 32/63	63,5 mm		M8/M10	190 mm	50 x 32 mm	92 mm	350 N	M6	10 pcs	2408265
MRP-C 32/64	64 mm		M8/M10	190 mm	50 x 32 mm	92 mm	350 N	M6	10 pcs	2408266
MRP-C 32/66	66,7 mm		M8/M10	190 mm	50 x 32 mm	92 mm	350 N	M6	10 pcs	2408267
MRP-C 32/75	75 mm		M8/M10	200 mm	55 x 32 mm	97 mm	500 N	M6	10 pcs	2408268
MRP-C 32/76	76,1 mm	2-1/2 in	M8/M10	200 mm	55 x 32 mm	97 mm	500 N	M6	10 pcs	2408269
MRP-C 32/88	88,9 mm	3 in	M8/M10	210 mm	55 x 32 mm	102 mm	650 N	M6	10 pcs	2408270
MRP-C 32/90	90 mm		M8/M10	223 mm	55 x 32 mm	107 mm	650 N	M6	10 pcs	2408271
MRP-C 32/104	104 mm		M8/M10	232 mm	55 x 32 mm	111 mm	700 N	M6	10 pcs	2408272*
MRP-C 32/108	108 mm		M16	235 mm	55 x 32 mm	112 mm	700 N	M8	10 pcs	2408273
MRP-C 32/110	110 mm		M16	235 mm	60 x 32 mm	112 mm	700 N	M8	10 pcs	2408274
MRP-C 32/114	114,3 mm	4 in	M16	235 mm	60 x 32 mm	112 mm	1050 N	M8	10 pcs	2408275
MRP-C 32/125	125 mm		M16	254 mm	60 x 32 mm	122 mm	1100 N	M8	10 pcs	2408276
MRP-C 32/128	128-129 mm		M16	254 mm	60 x 32 mm	122 mm	1100 N	M8	10 pcs	2408277*
MRP-C 32/133	133 mm		M16	254 mm	60 x 32 mm	122 mm	1150 N	M8	10 pcs	2408278
MRP-C 32/140	140 mm	5 in	M16	263 mm	60 x 32 mm	127 mm	1150 N	M8	6 pcs	2408279
MRP-C 32/154	154 mm		M16	279 mm	60 x 32 mm	134 mm	1350 N	M8	6 pcs	2408280*
MRP-C 32/160	159-160 mm		M16	318 mm	60 x 32 mm	140 mm	1350 N	M16	6 pcs	2408281
MRP-C 32/168	168,3 mm	6 in	M16	330 mm	60 x 32 mm	146 mm	1350 N	M16	6 pcs	2408282
MRP-C 32/180	180 mm		M16	343 mm	60 x 32 mm	152 mm	2500 N	M16	4 pcs	2408283
MRP-C 32/200	200 mm		M16	363 mm	80 x 32 mm	162 mm	2500 N	M16	4 pcs	2408284
MRP-C 32/204	204 mm		M16	363 mm	80 x 32 mm	162 mm	2500 N	M16	4 pcs	2408285*
MRP-C 32/219	219,1 mm	8 in	M16	384 mm	80 x 32 mm	173 mm	2850 N	M16	4 pcs	2408261

* No stock items. Please contact us for information on delivery times.