

# HILTI

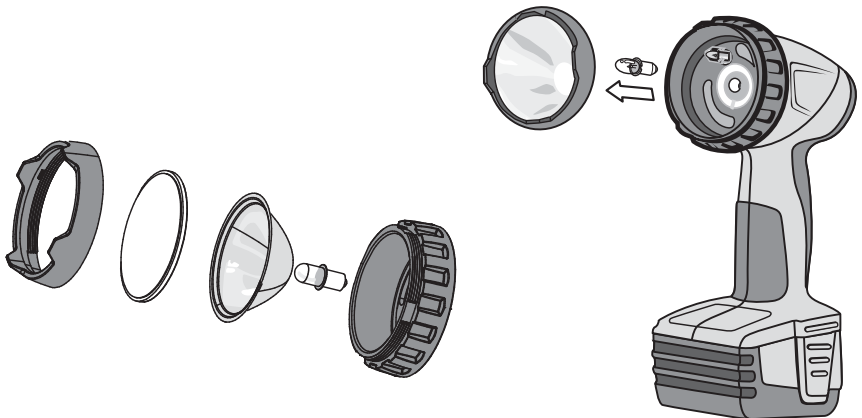
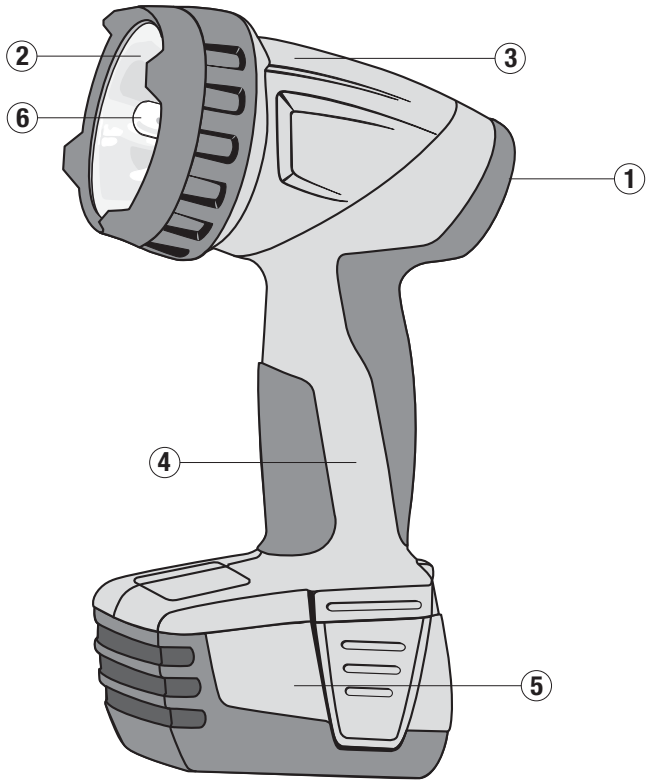
## SFL 144-A



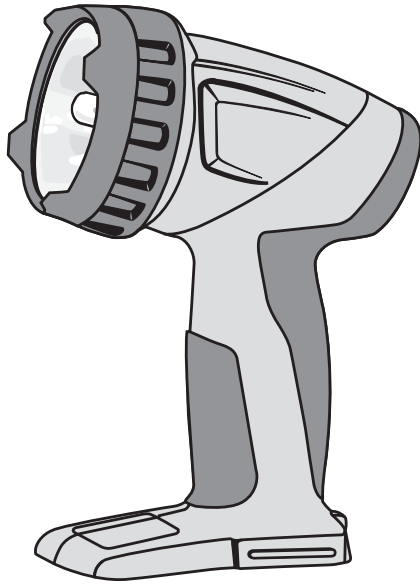
Bedienungsanleitung	de
Operating instructions	en
Mode d'emploi	fr
Istruzioni d'uso	it
Manual de instrucciones	es
Manual de instruções	pt
Gebruiksaanwijzing	nl
Brugsanvisning	da
Bruksanvisning	sv
Bruksanvisning	no
Käyttöohje	fi
Οδηγίες χρήσεως	el
Használati utasítás	hu
Instrukcja obsługi	pl
Инструкция по эксплуатации	ru
Návod k obsluze	cs
Návod na obsluhu	sk
Upute za uporabu	hr
Navodila za uporabo	sl
Ръководство за обслужване	bg
Instrucțiuni de utilizare	ro
Kullanma Talimatı	tr
دليل الاستعمال	ar
Lietošanas pamācība	lv
Instrukcija	lt
Kasutusjuhend	et
Інструкція з експлуатації	uk
取扱説明書	ja
사용설명서	ko
操作說明書	zh
操作说明书	cn



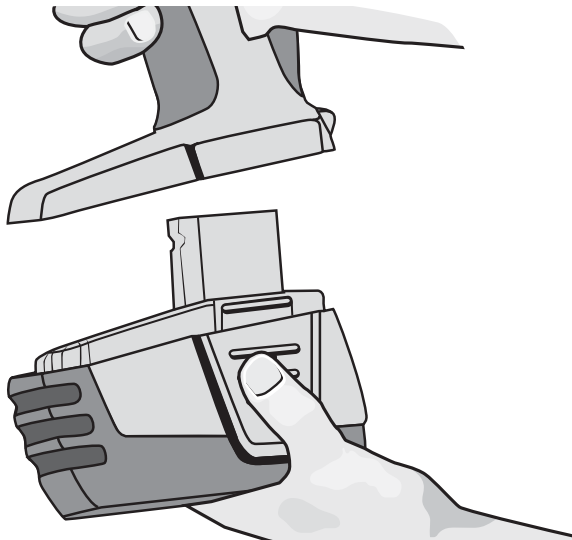
1



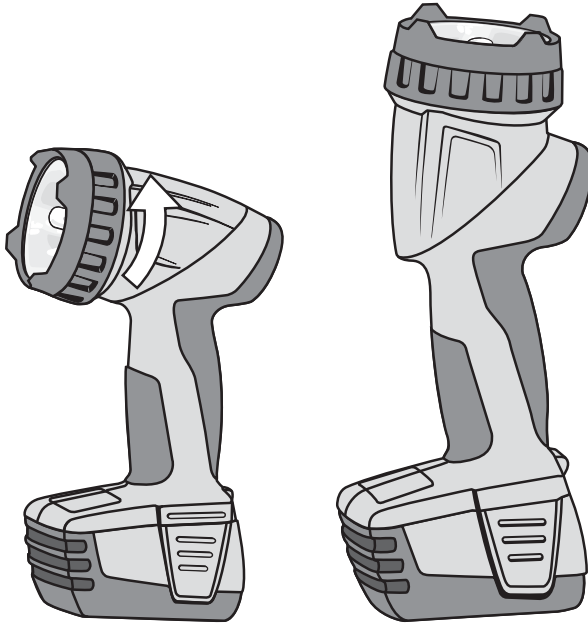
2



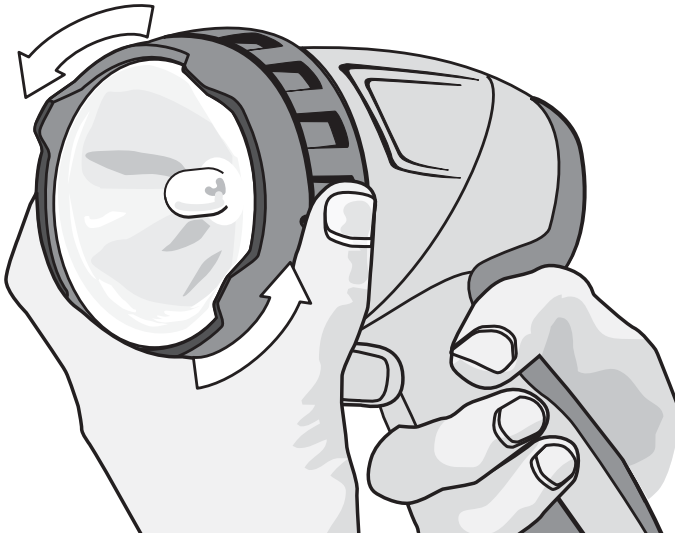
3



4



5



# ORIGINAL OPERATING INSTRUCTIONS

## SFL 144-A cordless lamp

en

**It is essential that the operating instructions are read before the appliance is operated for the first time.**

**Always keep these operating instructions together with the appliance.**

**Ensure that the operating instructions are with the appliance when it is given to other persons.**

Contents	Page
1 General information	8
2 Description	9
3 Accessories	9
4 Technical data	10
5 Safety instructions	10
6 Before use	11
7 Operation	11
8 Care and maintenance	12
9 Troubleshooting	12
10 Disposal	13
11 Manufacturer's warranty	13
12 EC declaration of conformity (original)	14

**1** These numbers refer to the corresponding illustrations. The illustrations can be found on the fold-out cover pages. Keep these pages open while studying the operating instructions.

In these operating instructions, the designation "the appliance" always refers to the SFL 144-A cordless flashlight with battery fitted.

### Parts, operating controls and indicators **1**

- ① On / off switch
- ② Reflector
- ③ Lamp body
- ④ Grip
- ⑤ Battery
- ⑥ Xenon bulb

## 1 General information

### 1.1 Safety notices and their meaning

#### DANGER

Draws attention to imminent danger that will lead to serious bodily injury or fatality.

#### WARNING

Draws attention to a potentially dangerous situation that could lead to serious personal injury or fatality.

#### CAUTION

Draws attention to a potentially dangerous situation that could lead to slight personal injury or damage to the equipment or other property.

#### NOTE

Draws attention to an instruction or other useful information.

### 1.2 Explanation of the pictograms and other information

#### Warning signs



General warning



Warning: electricity



Warning: hot surface



Warning: caustic substances

#### Obligation signs



Wear eye protection.

## Symbols



Read the operating instructions before use.



Volts



Return waste material for recycling.

## Location of identification data on the appliance

The type designation and serial number can be found on the type identification plate on the appliance. Make a note of this data in your operating instructions and always refer to it when making an enquiry to your Hilti representative or service department.

Type: \_\_\_\_\_

Generation: 01 \_\_\_\_\_

Serial no.: \_\_\_\_\_

en

## 2 Description

### 2.1 Use of the product as directed

The appliance is designed to be used as a source of light on construction sites.

The appliance is manufactured from high-grade, impact-resistant plastic. The battery and charger are not supplied with the lamp.

Use only the specified type of replacement bulb.

Keep the appliance out of reach of children.

Take the influences of the surrounding area into account. Do not use the power tool or appliance where there is a risk of fire or explosion.

The appliance may be used only in a dry environment.

Observe the information printed in the operating instructions concerning operation, care and maintenance.

To avoid the risk of injury, use only genuine Hilti tools and accessories.

Modification of the appliance or tampering with its parts is not permissible.

### 2.2 Li-ion battery charge status

LEDs light constantly	LEDs blink	Charge status C
LED 1,2,3,4	-	$C \geq 75 \%$
LED 1,2,3	-	$50 \% \leq C < 75 \%$
LED 1,2	-	$25 \% \leq C < 50 \%$
LED 1	-	$10 \% \leq C < 25 \%$
-	LED 1	$C < 10 \%$
-	LED 1	Battery overheated

## 3 Accessories

Designation	Short designation
Charger for Li-ion batteries	C 4/36, C 4/36-ACS or C 4/36-ACS TPS
Battery	B 144/2.6 Li-ion
Replacement bulb	Xenon 14.4V/ 0.8A
Reflector	For the SFL 144-A

## 4 Technical data

Right of technical changes reserved.

Lamp	Voltage	Bulb
SFL 144-A	14.4 V	Xenon 14.4V/ 0.8A

en

Battery	B 144/2.6 Li-ion
Rated voltage	14.4 V
Capacity	2.6 Ah
Energy content	37.44 Wh
Weight	0.55 kg
Temperature monitoring	Yes
Type of cell	Li-Ion
No. of cells	4

## 5 Safety instructions

### NOTE

In addition to the safety instructions given in the various sections of these operating instructions, the following points must be observed at all times.

#### 5.1 Power tool use and care

- If the hot glass is covered by an inflammable material it may, under certain circumstances, catch fire. **Do not cover the lamp, do not leave it unattended when switched on and do not touch the hot glass.**
- Use only replacement bulbs of the type specified by the manufacturer.**
- Do not point the lamp toward yourself or other persons. There is a risk of dazzling yourself or these other persons.**

#### 5.2 Battery tool use and care

- Ensure the switch is in the off position before inserting battery pack.** Inserting the battery pack into power tools that have the switch on invites accidents.
- Do not expose batteries to high temperatures or fire.** This presents a risk of explosion.
- Do not disassemble, squash or incinerate batteries and do not subject them to temperatures over**

**80°C.** A risk of fire, explosion or injury through contact with caustic substances may otherwise result.

- Avoid ingress of dampness.**Dampness may cause a short circuit resulting in a risk of burning injury or fire.
- Do not use batteries other than those approved for use with the applicable tool or appliance.** Use of other batteries or use of the battery for purposes for which it is not intended presents a risk of fire and explosion.
- Observe the special instructions applicable to the transport, storage and use of Li-ion batteries.**
- Avoid short-circuiting the battery.**Before inserting the battery in the tool or appliance, check that the terminals of the battery and the tool or appliance are free from foreign objects. Short-circuiting the battery terminals presents a risk of fire, explosion or contact with caustic substances.
- Do not charge or continue to use damaged batteries (e.g. batteries with cracks, broken parts, bent or pushed-in and/or pulled-out contacts).**
- If the battery gets too hot to touch, this may indicate that it is faulty. **Place the tool in a location where it can be kept under observation, well away from flammable materials, and allow it to cool down. Contact Hilti Service after the battery has been allowed to cool.**

## 6 Before use



### 6.1 Battery use and care

#### NOTE

Battery performance drops at low temperatures. Use a battery only when it has been fully charged. This ensures that maximum battery capacity is available. Change to a second battery in good time. Recharge the battery immediately so that it is ready for reuse.

Store the battery in a cool, dry place. Never store the battery where it is exposed to direct sunlight or sources of heat, e.g. on heaters / radiators or behind a motor vehicle windscreen. Batteries that have reached the end of their life must be disposed of safely and correctly to avoid environmental pollution.

### 6.2 Charging the battery



#### DANGER

Use only the Hilti batteries and Hilti chargers listed under “Accessories”.

#### 6.2.1 Charging a new battery for the first time

Charge the battery fully before using it for the first time.

#### 6.2.2 Charging a previously used battery

Ensure that the outer surfaces of the battery are clean and dry before inserting it in the corresponding charger. Read the operating instructions for the charger for further information about the charging procedure.

Li-ion batteries are ready for use at any time, even when only partly charged. Charging progress is indicated by the LED display (see charger operating instructions).

#### 6.3 Fitting the battery 2 3

##### CAUTION

**Check that the appliance is switched off before fitting the battery.** Use only the Hilti batteries approved for use with this appliance.

##### CAUTION

**Before inserting the battery in the tool or appliance, check that the terminals of the battery and the tool or appliance are free from foreign objects.**

1. Push the battery into the appliance from below as far as it will go, until it is heard to engage with a double click.
2. **CAUTION** A falling battery may present a risk of injury to yourself or others.  
Check that the battery is seated securely in the appliance.

#### 6.4 Removing the battery 2 3

1. Press both battery release buttons.
2. Pull the battery out of the appliance from below.

## 7 Operation



#### NOTE

The lamp features a protective overheating cut-out. In the event of overheating, e.g. when the reflector is covered by an object, the lamp switches itself off automatically.

#### NOTE

The lamp switches itself off automatically when the battery is exhausted. Please check the battery's state of charge before using the lamp.

##### CAUTION

The front part of the appliance can become very hot. **There is a risk of burning your fingers or hands.**

#### 7.1 Switching on / off

To switch on, slide the on / off switch to the “1” position. To switch off, slide the on / off switch to the “0” position.

#### 7.2 Pivoting the lamp body 4 5

##### CAUTION

**Do not point the lamp toward yourself or other persons. There is a risk of dazzling yourself or these other persons.**

The lamp body can be pivoted up to 90°. Please note that the lamp body can be pivoted only in one direction, i.e. in a counterclockwise direction when seen from the front.



## 8 Care and maintenance

### CAUTION

Before beginning cleaning, remove the battery from the power tool or appliance in order to prevent unintentional starting.

#### 8.1 Care of the appliance

The outer casing of the appliance is made from impact-resistant plastic.

Never operate the appliance when the ventilation slots are blocked. Clean the ventilation slots carefully using a dry brush. Do not permit foreign objects to enter the interior of the appliance. Clean the outside of the appliance at regular intervals with a slightly damp cloth. Do not use a spray, steam pressure cleaning equipment or running water for cleaning. This will negatively affect the electrical safety of the appliance. Always keep the grip surfaces of the appliance free from oil and grease. Do not use cleaning agents which contain silicone.

#### 8.2 Care of the Li-ion battery

Avoid entrance of moisture.

Charge the battery fully before using it for the first time.

In order to achieve maximum battery life, stop using the battery as soon as a significant drop in performance is noticed.

### NOTE

If use of the power tool or appliance continues, battery discharge is stopped automatically (indicated by LED 1 blinking) before the battery cells suffer damage.

Charge the battery with the Hilti charger approved for use with Li-ion batteries.

### NOTE

- A conditioning charge (as is required with NiCd or NiMH batteries) is not necessary.
- Interruption of the charging procedure has no negative effect on battery life.
- Charging can be started at any time, irrespective of battery charge status, without any negative effect on

battery life. There is no memory effect (as with NiCd or NiMH batteries).

- For best results, batteries should be stored fully charged in a cool dry place. Avoid storing the battery in places subject to high ambient temperatures (e.g. at a window) as this has an adverse effect on battery life and increases the rate of self-discharge.
- If the battery no longer reaches full charge, it may have lost capacity due to aging or overstressing. It is possible to continue working with a battery in this condition but it should be replaced in good time.

#### 8.3 Replacing the bulb 1

1. Unscrew the reflector.
2. **CAUTION Allow the bulb to cool down before replacing it.** You may otherwise burn your fingers. Remove the defective bulb.
3. **CAUTION Use only replacement bulbs of the type specified by the manufacturer.**  
Fit the replacement bulb into the socket behind the reflector.

#### 8.4 Maintenance

### WARNING

Repairs to the electrical section of the appliance may be carried out only by trained electrical specialists.

Check all external parts of the appliance for damage at regular intervals and check that all controls operate faultlessly. Do not operate the appliance if parts are damaged or when the controls do not function faultlessly. If necessary, the appliance should be repaired by Hilti Service.

#### 8.5 Checking the appliance after care and maintenance

After carrying out care and maintenance, check that all protective and safety devices are fitted and that they function faultlessly.

## 9 Troubleshooting

Fault	Possible cause	Remedy
The battery runs down more quickly than usual.	Battery condition is not optimal.	Have the battery condition checked by Hilti or replace the battery.
The battery doesn't engage with an audible double click.	The retaining lugs on the battery are dirty.	Clean the retaining lugs and check that the battery engages securely. Contact Hilti Service if the problem persists.

## 10 Disposal

### CAUTION

Improper disposal of the equipment may have serious consequences: The burning of plastic components generates toxic fumes which may present a health hazard. Batteries may explode if damaged or exposed to very high temperatures, causing poisoning, burns, acid burns or environmental pollution. Careless disposal may permit unauthorized and improper use of the equipment. This may result in serious personal injury, injury to third parties and pollution of the environment.

### CAUTION

Dispose of defective batteries without delay. Keep them out of reach of children. Do not attempt to open or dismantle batteries and do not dispose of them by incineration.

### CAUTION

Dispose of the batteries in accordance with national regulations or return them to Hilti.



Most of the materials from which Hilti tools or appliances are manufactured can be recycled. The materials must be correctly separated before they can be recycled. In many countries, Hilti has already made arrangements for taking back old tools and appliances for recycling. Ask Hilti customer service or your Hilti representative for further information.



For EC countries only

Disposal of electric tools or appliances together with household waste is not permissible.

In observance of European Directive 2002/96/EC on waste electrical and electronic equipment and its implementation in accordance with national law, electric appliances that have reached the end of their life must be collected separately and returned to an environmentally compatible recycling facility.

## 11 Manufacturer's warranty

Hilti warrants for a period of 24 months from the date of purchase that the tool supplied is free of defects in material and workmanship. This warranty is valid so long as the tool is operated and handled correctly, cleaned and serviced properly and in accordance with the Hilti Operating Instructions, and the technical system is maintained. This means that only original Hilti consumables, components and spare parts may be used in the tool.

This warranty provides the free-of-charge repair or replacement of defective parts only. Parts requiring repair or replacement as a result of normal wear and tear are not covered by this warranty.

**Additional claims are excluded, unless stringent national rules prohibit such exclusion. In particular, Hilti is not obligated for direct, indirect, incidental or consequential damages, losses or expenses in connection with, or by reason of, the use of, or inability to use the tool for any purpose. Implied warranties of merchantability or fitness for a particular purpose are specifically excluded.**

For repair or replacement, send the tool or related parts immediately upon discovery of the defect to the address of the local Hilti marketing organization provided.

This constitutes Hilti's entire obligation with regard to warranty and supersedes all prior or contemporaneous comments and oral or written agreements concerning warranties.

## 12 EC declaration of conformity (original)

Designation:	cordless lamp
Type:	SFL 144-A
Generation:	01
Year of design:	2009

en We declare, on our sole responsibility, that this product complies with the following directives and standards: 2004/108/EC, 2006/95/EC, 2006/66/EC, 2011/65/EU, EN 60598-1, EN ISO 12100.

Hilti Corporation, Feldkircherstrasse 100,  
FL-9494 Schaan



**Paolo Luccini**  
Head of BA Quality and Process Management  
Business Area Electric Tools & Accessories  
01/2012

**Jan Doongaji**  
Executive Vice President  
Business Unit Power Tools & Accessories  
01/2012

### Technical documentation filed at:

Hilti Entwicklungsgesellschaft mbH  
Zulassung Elektrowerkzeuge  
Hiltistrasse 6  
86916 Kaufering  
Deutschland



Hilti Corporation

LI-9494 Schaan

Tel.: +423 / 234 21 11

Fax: +423 / 234 29 65

[www.hilti.com](http://www.hilti.com)

Hilti = registered trademark of Hilti Corp., Schaan

W 3658 | 0613 | 00-Pos. 1 | 1

Printed in China © 2013

Right of technical and programme changes reserved S. E. & O.

410513 / A3



410513