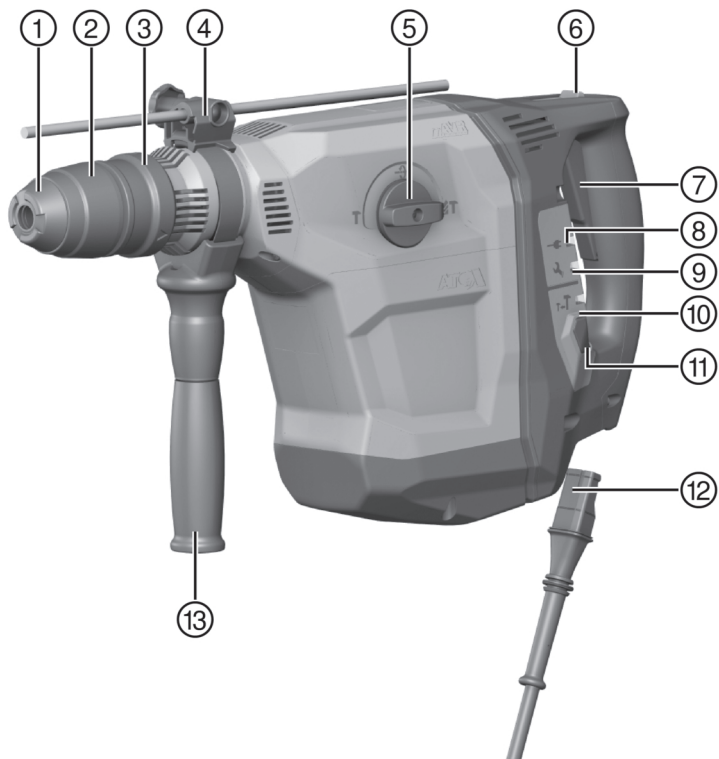


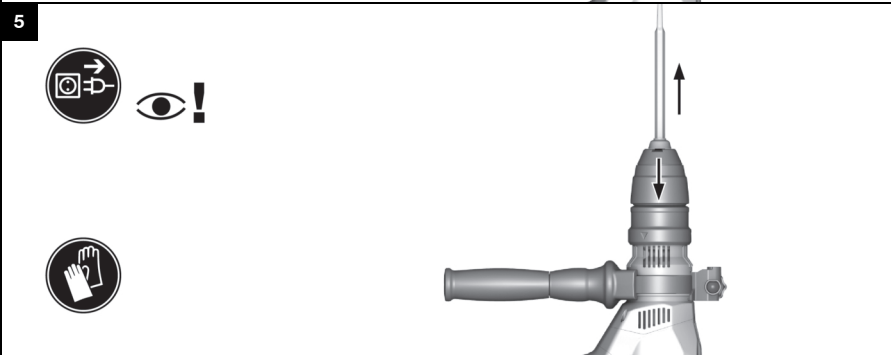
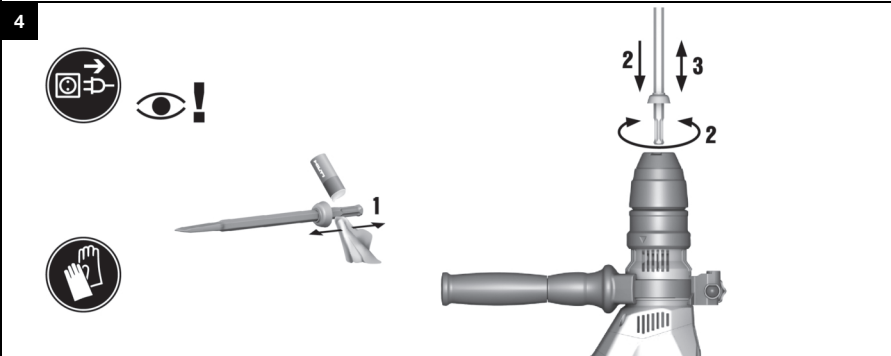
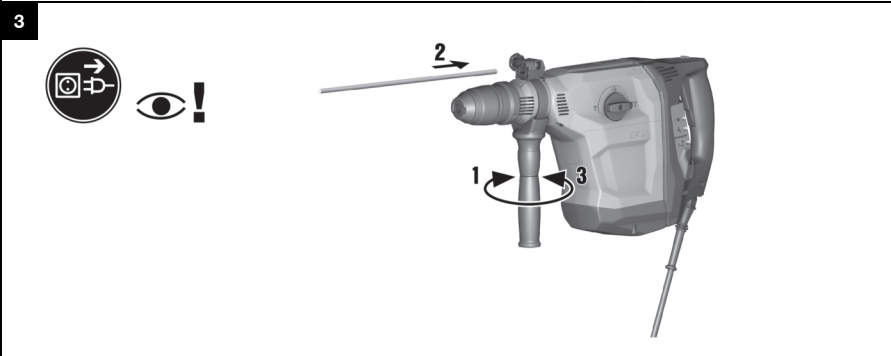
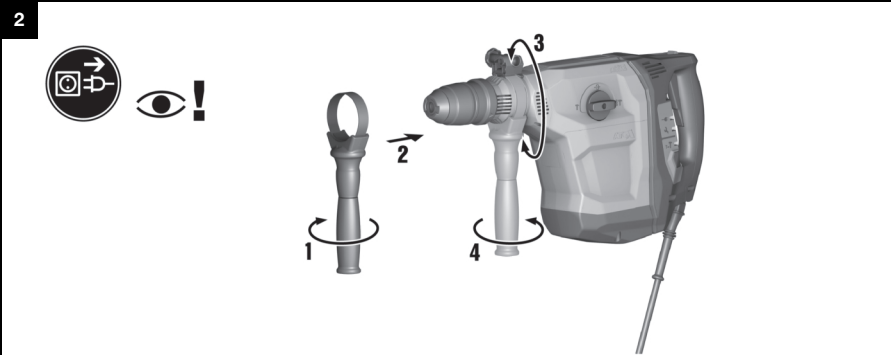


TE 70-ATC/AVR (04)

English
עברית

1
12

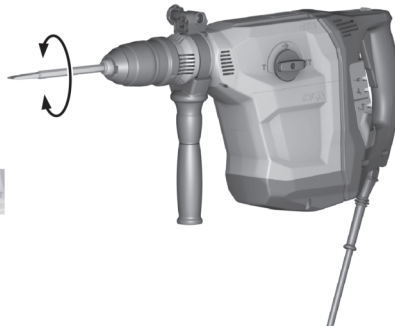




6



7



8



TE 70-ATC/AVR

en	Original operating instructions	1
he	הוראות הפעלה מקוריות	12

Original operating instructions

1 Information about the operating instructions

1.1 About these operating instructions

- **Warning!** Read and understand all accompanying documentation, including but not limited to instructions, safety warnings, illustrations, and specifications provided with this product. Familiarize yourself with all the instructions, safety warnings, illustrations, specifications, components, and functions of the product before use. Failure to do so may result in electric shock, fire, and/or serious injury. Save all warnings and instructions for future reference.
- products are designed for professional users and only trained, authorized personnel are permitted to operate, service and maintain the products. This personnel must be specifically informed about the possible hazards. The product and its ancillary equipment can present hazards if used incorrectly by untrained personnel or if used not in accordance with the intended use.
- The accompanying documentation corresponds to the current state of the art at the time of printing. Please always check for the latest version on the product's page on Hilti's website. To do this, follow the link or scan the QR code in this documentation, marked with the symbol
- Ensure that these operating instructions are with the product when it is given to other persons.

1.2 Explanation of symbols

1.2.1 Warnings

Warnings alert persons to hazards that occur when handling or using the product. The following signal words are used:

DANGER

DANGER !

- ▶ Draws attention to imminent danger that will lead to serious personal injury or fatality.

WARNING

WARNING !

- ▶ Draws attention to a potential threat of danger that can lead to serious injury or fatality.

CAUTION

CAUTION !

- ▶ Draws attention to a potentially dangerous situation that could lead to personal injury or damage to the equipment or other property.

1.2.2 Symbols in the operating instructions

The following symbols are used in these operating instructions:

	Comply with the operating instructions
	Instructions for use and other useful information
	Dealing with recyclable materials
	Do not dispose of electric equipment and batteries as household waste

1.2.3 Symbols in illustrations

The following symbols are used in illustrations:

2	These numbers refer to the illustrations at the beginning of these operating instructions.
3	The numbers in illustrations refer to important work steps or to components important for the work steps. In the text, the corresponding numbers draw attention to these work steps or components, e.g. (3) .



	Item reference numbers are used in the overview illustration and refer to the numbers used in the key in the product overview section.
	This symbol is intended to draw your special attention to certain points for handling the product.

1.3 Product-dependent symbols

1.3.1 Symbols on the product

The following symbols can be used on the product:

V	Volts
A	Amps
Hz	Hertz
/min	Revolutions per minute
RPM	Revolutions per minute
	Diameter
	Alternating current
	Protection class II (double-insulated)
	The product supports wireless data transmission compatible with iOS and Android platforms.

2 Safety

2.1 General power tool safety warnings

⚠ WARNING Read all safety warnings, instructions, illustrations and specifications provided with this power tool. Failure to follow all instructions listed below may result in electric shock, fire and/or serious injury. **Save all warnings and instructions for future reference.**

The term "power tool" in the warnings refers to your mains-operated (corded) power tool or battery-operated (cordless) power tool.

Work area safety

- ▶ **Keep work area clean and well lit.** Cluttered or dark areas invite accidents.
- ▶ **Do not operate power tools in explosive atmospheres, such as in the presence of flammable liquids, gases or dust.** Power tools create sparks which may ignite the dust or fumes.
- ▶ **Keep children and bystanders away while operating a power tool.** Distractions can cause you to lose control.

Electrical safety

- ▶ **Power tool plugs must match the outlet. Never modify the plug in any way. Do not use any adapter plugs with earthed (grounded) power tools.** Unmodified plugs and matching outlets will reduce risk of electric shock.
- ▶ **Avoid body contact with earthed or grounded surfaces, such as pipes, radiators, ranges and refrigerators.** There is an increased risk of electric shock if your body is earthed or grounded.
- ▶ **Do not expose power tools to rain or wet conditions.** Water entering a power tool will increase the risk of electric shock.
- ▶ **Do not abuse the cord. Never use the cord for carrying, pulling or unplugging the power tool. Keep cord away from heat, oil, sharp edges or moving parts.** Damaged or entangled cords increase the risk of electric shock.
- ▶ **When operating a power tool outdoors, use an extension cord suitable for outdoor use.** Use of a cord suitable for outdoor use reduces the risk of electric shock.
- ▶ **If operating a power tool in a damp location is unavoidable, use a residual current device (RCD) protected supply.** Use of an RCD reduces the risk of electric shock.



Personal safety

- ▶ **Stay alert, watch what you are doing and use common sense when operating a power tool. Do not use a power tool while you are tired or under the influence of drugs, alcohol or medication.** A moment of inattention while operating power tools may result in serious personal injury.
- ▶ **Use personal protective equipment. Always wear eye protection.** Protective equipment such as a dust mask, non-skid safety shoes, hard hat or hearing protection used for appropriate conditions will reduce personal injuries.
- ▶ **Prevent unintentional starting. Ensure the switch is in the off-position before connecting to power source and/or battery pack, picking up or carrying the tool.** Carrying power tools with your finger on the switch or energising power tools that have the switch on invites accidents.
- ▶ **Remove any adjusting key or wrench before turning the power tool on.** A wrench or a key left attached to a rotating part of the power tool may result in personal injury.
- ▶ **Do not overreach. Keep proper footing and balance at all times.** This enables better control of the power tool in unexpected situations.
- ▶ **Dress properly. Do not wear loose clothing or jewellery. Keep your hair and clothing away from moving parts.** Loose clothes, jewellery or long hair can be caught in moving parts.
- ▶ **If devices are provided for the connection of dust extraction and collection facilities, ensure these are connected and properly used.** Use of dust collection can reduce dust-related hazards.
- ▶ **Do not let familiarity gained from frequent use of tools allow you to become complacent and ignore tool safety principles.** A careless action can cause severe injury within a fraction of a second.

Power tool use and care

- ▶ **Do not force the power tool. Use the correct power tool for your application.** The correct power tool will do the job better and safer at the rate for which it was designed.
- ▶ **Do not use the power tool if the switch does not turn it on and off.** Any power tool that cannot be controlled with the switch is dangerous and must be repaired.
- ▶ **Disconnect the plug from the power source and/or remove the battery pack, if detachable, from the power tool before making any adjustments, changing accessories, or storing power tools.** Such preventive safety measures reduce the risk of starting the power tool accidentally.
- ▶ **Store idle power tools out of the reach of children and do not allow persons unfamiliar with the power tool or these instructions to operate the power tool.** Power tools are dangerous in the hands of untrained users.
- ▶ **Maintain power tools and accessories. Check for misalignment or binding of moving parts, breakage of parts and any other condition that may affect the power tool's operation. If damaged, have the power tool repaired before use.** Many accidents are caused by poorly maintained power tools.
- ▶ **Keep cutting tools sharp and clean.** Properly maintained cutting tools with sharp cutting edges are less likely to bind and are easier to control.
- ▶ **Use the power tool, accessories and tool bits etc. in accordance with these instructions, taking into account the working conditions and the work to be performed.** Use of the power tool for operations different from those intended could result in a hazardous situation.
- ▶ **Keep handles and grasping surfaces dry, clean and free from oil and grease.** Slippery handles and grasping surfaces do not allow for safe handling and control of the tool in unexpected situations.

Service

- ▶ **Have your power tool serviced by a qualified repair person using only identical replacement parts.** This will ensure that the safety of the power tool is maintained.

2.2 Hammer safety warnings

Safety instructions for all operations

- ▶ **Wear ear protectors.** Exposure to noise can cause hearing loss.
- ▶ **Use auxiliary handle(s), if supplied with the tool.** Loss of control can cause personal injury.
- ▶ **Hold the power tool by insulated gripping surfaces, when performing an operation where the cutting accessory may contact hidden wiring or its own cord.** Cutting accessory contacting a "live" wire may make exposed metal parts of the power tool "live" and could give the operator an electric shock.

Safety instructions when using long drill bits with rotary hammers

- ▶ **Always start drilling at low speed and with the bit tip in contact with the workpiece.** At higher speeds, the bit is likely to bend if allowed to rotate freely without contacting the workpiece, resulting in personal injury.



- ▶ **Apply pressure only in direct line with the bit and do not apply excessive pressure.** Bits can bend causing breakage or loss of control, resulting in personal injury.

2.3 Additional safety instructions for rotary hammer drill

Personal safety

- ▶ Use the product and accessories only when they are in perfect working order.
- ▶ Never tamper with or modify the product or accessories in any way.
- ▶ Use auxiliary handles supplied with the product. Loss of control can cause personal injury.
- ▶ Apply appropriate safety measures at the opposite side of the workpiece in work that involves breaking through. Parts breaking away could fall out and / or fall down causing injury to other persons.
- ▶ Always hold the tool with both hands on the grips provided. Keep the grips clean and dry.
- ▶ Hold the product by the insulated gripping surfaces when performing work in which the accessory tool might come into contact with concealed wiring. If the accessory tool comes into contact with a live wire, metal parts of the power tool can also become live, resulting in an electric shock.
- ▶ Do not touch rotating parts – risk of injury!
- ▶ Wear eye protection, a hard hat and ear protection and suitable respiratory protection while the product is in use.
- ▶ Wear protective gloves when changing the accessory tool. Touching the accessory tool can result in cuts and burns.
- ▶ Wear eye protection. Flying fragments can injure the body and eyes.
- ▶ Dust produced by grinding, sanding, cutting and drilling can contain dangerous chemicals. Some examples are: lead or lead-based paints; brick, concrete and other masonry products, natural stone and other products containing silicates; certain types of wood, such as oak, beech and chemically treated wood; asbestos or materials that contain asbestos. Determine the exposure of the operator and bystanders by means of the hazard classification of the materials to be worked. Implement the necessary measures to restrict exposure to a safe level, for example by the use of a dust collection system or by the wearing of suitable respiratory protection. The general measures for reducing exposure include:
 - ▶ working in an area that is well ventilated,
 - ▶ avoidance of prolonged contact with dust,
 - ▶ directing dust away from the face and body,
 - ▶ wearing protective clothing and washing exposed areas of the skin with water and soap.
- ▶ Take frequent breaks and do physical exercises to improve the blood circulation in your fingers. High vibration during long periods of work can lead to disorders of the blood vessels and nervous system in the fingers, hands and wrists.

Electrical safety

- ▶ Before beginning work, check the working area for concealed electric cables or gas and water pipes. External metal parts of the product could give you an electric shock or cause an explosion if you accidentally damage an electric cable or a gas or water pipe.

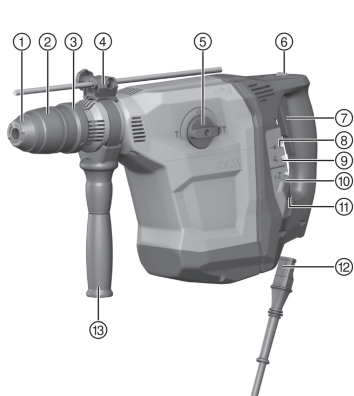
Power tool use and care

- ▶ Switch the product off immediately if the accessory tool jams. The product might twist off-line.
- ▶ Wait until the product has come to a complete stop before you lay it down.



3 Description

3.1 Product overview



- ① Dust cap
- ② Chuck
- ③ Accessory tool release
- ④ Depth gauge (accessory)
- ⑤ Function selector switch
- ⑥ Chisel locking device
- ⑦ Control switch
- ⑧ Function signal
- ⑨ Service indicator
- ⑩ Half-power indicator
- ⑪ Switch for half power
- ⑫ Supply cord with keyed, releasable plug connector
- ⑬ Side handle

3.2 Intended use

The product described is an electrically powered combihammer with pneumatic hammering mechanism. It is designed for drilling in concrete, masonry, wood and metal. The product can also be used for light- to medium-duty chiseling on masonry and surface finishing work on concrete.

- ▶ The tool may be operated only when connected to a power source providing a voltage and frequency in compliance with the information given on the type identification plate.

3.3 Undercut anchors

The product is suitable for setting undercut anchors. Use only suitable setting tools. Detailed information on this topic can be obtained at your local **Hilti** Center.

3.4 Possible misuse

- This product is not suitable for working on hazardous materials.
- This product is not suitable for working in a damp environment.

3.5 Active Vibration Reduction

The tool is equipped with an Active Vibration Reduction (AVR) system which reduces vibration noticeably.

3.6 ATC

The product is equipped with the ATC (Active Torque Control) quick-acting electronic cut-out. If the accessory tool sticks or stalls, the product will suddenly pivot about its own axis in the opposite direction. ATC detects this sudden pivoting movement of the product and switches the product off immediately.



For ATC to function correctly, the product must be free to pivot.
After an ATC cut-out, switch the product off and then on again.

3.7 Service indicator

The product is equipped with a service indicator LED.

3.7.1 Service indicator status

Status	Meaning
Service indicator shows.	End of service interval – servicing is due.
Service indicator flashes.	Have the combihammer repaired by Hilti Service.



3.8 Items supplied

Combihammer, side handle, operating instructions.

Other system products approved for use with this product can be found at your local **Hilti Store** or at: www.hilti.group

4 Technical data

4.1 Combihammer

For details of the rated voltage, current, frequency and input power, please refer to the power tool's country-specific type identification plate.

If the tool is powered by a generator or transformer, the generator or transformer's power output must be at least twice the rated input power shown on the rating plate of the tool. The operating voltage of the transformer or generator must always be within +5% and -15% of the rated voltage of the tool.

Product generation	04
Weight in accordance with EPTA procedure 01	10 kg

4.2 Noise information and vibration values

The sound pressure and vibration values given in these instructions were measured in accordance with a standardized test and can be used to compare one power tool with another. They can also be used for a preliminary assessment of exposure.

The data given represent the main applications of the power tool. However, if the power tool is used for different applications, with different accessory tools, or is poorly maintained, the data can vary. This can significantly increase exposure over the total working period.

An accurate estimation of exposure should also take into account the times when the power tool is switched off, or when it is running but not actually being used for a job. This can significantly reduce exposure over the total working period.

Identify additional safety measures to protect the operator from the effects of noise and/or vibration, for example: maintaining the power tool and accessory tools, keeping the hands warm, organization of work patterns.

Detailed information on the versions of the **EN 62841** standards applied here is to be found in the reproduction of the declaration of conformity 22.

Noise emission values

Sound power level (L_{WA})	111 dB(A)
Uncertainty for the sound power level (K_{WA})	3 dB(A)
Emission sound pressure level (L_{pA})	103 dB(A)
Uncertainty for the sound pressure level (K_{pA})	3 dB(A)

Total vibration

Vibration emission value for hammer drilling in concrete ($a_{n,Hb}$)	8.6 m/s ²
Vibration emission value for chiseling ($a_{n,Chc}$)	7.8 m/s ²
Uncertainty (K)	1.5 m/s ²

5 Operation

5.1 Preparations at the workplace

CAUTION

Risk of injury! Inadvertent starting of the product.

- ▶ Unplug the supply cord before making adjustments to the power tool or before changing accessories.

Observe the safety instructions and warnings in this documentation and on the product.



5.1.1 Connecting the detachable supply cord

CAUTION

Risk of injury! Due to leakage current as a result of dirty contacts.

- ▶ Connect the detachable electric connector to the electric tool only when it is clean and dry and when the supply cord is unplugged from the power outlet.
-
1. Push the keyed, detachable electric plug connector into the tool as far as it will go, until it is heard to engage.
 2. Plug the supply cord into the power outlet.

5.1.2 Disconnecting the detachable supply cord

1. Unplug the supply cord from the power outlet.
2. Press the release button and pull the keyed, detachable electric plug connector out of the socket.
3. Pull the supply cord connector out of the power tool.

5.1.3 Fitting the side handle

CAUTION

Risk of injury Loss of control over the product.

- ▶ Check that the side handle is fitted correctly and tightened securely. Check that the clamping band is engaged in the groove in the product.
-
1. Release the side handle clamping band by turning the handle grip.
 2. Slide the side handle clamping band over the tool holder from the front and into the recess provided.
 3. Set the side handle to the desired position.
 4. Tighten the side handle clamping band by turning the handle grip.

5.1.4 Fitting the depth gauge (optional)

1. Release the side handle clamping band by turning the handle grip.
2. Slide the depth gauge from the front into the 2 guide holes provided.
3. Tighten the side handle clamping band by turning the handle grip.

5.1.5 Control switch lock



When chiseling, the control switch can be locked in the “on” position.

- ▶ Press the control switch lock.

5.1.6 Inserting the tool



The use of unsuitable grease can cause damage to the product. **Use only genuine Hilti grease.**

1. Lightly grease the connection end of the accessory tool.
 - ▶ Use only genuine **Hilti** grease. Using the wrong grease can result in damage to the product.
2. Push the accessory tool into the chuck as far as it will go (until it engages).
3. After fitting the accessory tool, grip it and pull it in order to check that it is securely engaged.
 - ▶ The product is ready for use.

5.1.7 Removing the accessory tool

- ▶ Pull the tool lock back as far as it will go and remove the accessory tool.



Use only genuine **Hilti** grease. The use of unsuitable grease can cause damage to the product.



5.1.8 Setting the power level



Power can be set only when the tool is switched on and ready for use.

To set the tool to half power, press the "half power" button. The power indicator lights up to indicate reduced power. Press the "half power" button again to switch to full power. The power indicator goes out.

Switching the product off and then on again resets it to full power.

- ▶ Set the power level.

5.2 Types of work



WARNING

Risk of electric shock! Severe injury and burns can result if any attempt is made to operate the tool without an earth/ground conductor and ground fault circuit interrupter correctly connected.

- ▶ Irrespective of whether mains power or generator power is used, always make sure that an earth/ground conductor and ground fault circuit interrupter are present in the power supply and that these are correctly connected.
 - ▶ Do not use the product unless these safety measures are in place and fully operational.
-



WARNING

A damaged supply cord presents a hazard! If the supply cord or extension cord is damaged while work is in progress, immediately disconnect the device and the cord from the electricity supply. Do not touch the damaged part of the cord.

- ▶ Regularly check all supply cords. Replace defective extension cords.
-

Full approval must be obtained from the site engineer or architect prior to beginning the work.

5.2.1 Drilling without hammering



Drilling without hammering is possible when drill bits with a special connection end are used. Tools of this kind are available from the **Hilti** tools range.

For example, when the keyless quick-release chuck is fitted, smooth-shank drill bits for wood or steel can be used to drill without hammering.

- ▶ Set the function selector switch to the  position.

5.2.2 Drilling with hammering action (hammer drilling)

- ▶ Set the function selector switch to the  position.

5.2.3 Chisel positioning



CAUTION

Risk of injury! Loss of control over the chisel direction.

- ▶ Do not operate the tool when the selector switch is set to "Chisel positioning". Turn the function selector switch until it engages in the "Chiseling" position.
-



The chisel can be set to 24 different positions (in 15° increments). This ensures that flat chisels and shaped chisels can always be set to the optimum working position.

- ▶ Set the function selector switch to the  position.

5.2.4 Chiseling

- ▶ Set the function selector switch to the  position.



6 Care and maintenance

WARNING

Electric shock hazard! Attempting care and maintenance with the supply cord connected to a power outlet can lead to severe injury and burns.

- ▶ Always unplug the supply cord before carrying out care and maintenance tasks.

Care

- Carefully remove stubborn dirt from the tool.
- Clean the air vents carefully with a dry brush.
- Use only a slightly damp cloth to clean the casing. Do not use cleaning agents containing silicone as they can attack the plastic parts.

Maintenance

WARNING

Danger of electric shock! Improper repairs to electrical components may lead to serious injuries including burns.

- ▶ Repairs to the electrical section of the tool or appliance may be carried out only by trained electrical specialists.
- Check all visible parts and controls for signs of damage at regular intervals and make sure that they all function correctly.
- Do not operate the product if signs of damage are found or if parts malfunction. Have it repaired immediately by **Hilti Service**.
- After cleaning and maintenance, fit all guards or protective devices and check that they function correctly.



To help ensure safe and reliable operation, use only genuine Hilti spare parts and consumables. Spare parts, consumables and accessories approved by Hilti for use with the product can be found at your local **Hilti Store** or online at: www.hilti.group.

6.1 Cleaning the dust shield

- ▶ Clean the dust shield on the chuck with a dry, clean cloth at regular intervals.
- ▶ Clean the sealing lip by wiping it carefully and then grease it again lightly with **Hilti** grease.
- ▶ It is essential that the dust shield is replaced if the sealing lip is damaged.

7 Transport and storage

- Do not transport electric tools with accessory tools fitted.
- Always unplug the supply cord before storing an electric tool or appliance.
- Store tools and appliances in a dry place where they cannot be accessed by children or unauthorized persons.
- Check electric tools or appliances for damage after long periods of transport or storage.

8 Troubleshooting

If the trouble you are experiencing is not listed in this table or you are unable to remedy the problem by yourself, please contact **Hilti Service**.

8.1 Troubleshooting

Trouble or fault	Possible cause	Action to be taken
Product does not start.	Interruption in the electric supply.	▶ Plug in another electric tool or appliance and check whether it works.
	The generator is in sleep mode.	▶ Apply a load to the generator by connecting a second power consumer (e.g. worklight). After this, switch the product off and then on again.



Trouble or fault	Possible cause	Action to be taken
Product does not start.	The electronic restart interlock is activated after an interruption in the electric supply.	▶ Switch the product off and then on again.
	The detachable supply cord is not fitted correctly.	▶ Fit the detachable supply cord to the power tool correctly.
	The carbon brushes are worn.	▶ Have checked, and if necessary replaced, by a trained electrical specialist.
No hammering action.	Product too cold.	▶ Bring the product into contact with the working surface, switch it on and allow it to idle. If necessary, repeat the procedure until the hammering mechanism begins to operate.
Product does not achieve full power.	The extension cord is too long or the conductor cross-section is inadequate.	▶ Use an extension cord of an approved length and / or of adequate conductor cross-section.
	The control switch is not fully pressed.	▶ Press the control switch as far as it will go.
	The voltage provided by the electric supply is too low.	▶ Connect the product to a different power source.
	The half-power button is engaged.	▶ Press the "half-power" button.
Drill bit does not rotate.	The function selector switch is not engaged or is in the "Chiseling" position T or the "Chisel positioning" position \rightarrow .	▶ With the motor at a standstill, set the function selector switch to the "Hammer drilling" IT position.
Drill bit is not released.	The chuck is not pulled back fully.	▶ Pull the tool lock back as far as it will go and remove the accessory tool.
	Side handle not fitted correctly.	▶ Disengage the side handle and refit it correctly so that the clamping band and side handle engage in the recess.
Product switches off if drill bit jams.	The electronic safety shut-down has tripped to avoid further jamming.	▶ Release the drill bit.
Service indicator flashes.	The product is faulty.	▶ Have the product repaired by Hilti Service .
Service indicator shows.	The carbon brushes are worn.	▶ Have checked, and if necessary replaced, by a trained electrical specialist.

9 Disposal

Most of the materials from which **Hilti** tools and appliances are manufactured can be recycled. The materials must be correctly separated before they can be recycled. In many countries, your old tools, machines or appliances can be returned to **Hilti** for recycling. Ask **Hilti Service** or your Hilti representative for further information.



- ▶ Do not dispose of power tools, electronic equipment or batteries as household waste!

10 RoHS (Restriction of Hazardous Substances)

Click on the link to go to the table of hazardous substances: qr.hilti.com/r6851673.

There is a link to the RoHS table, in the form of a QR code, at the end of this document.




11 Manufacturer's warranty

- ▶ Please contact your local **Hilti** representative if you have questions about the warranty conditions.



1 מידע על הוראות הפעלה

1.1 על הוראות הפעלה אלו

- **אזהרה!** לפני השימוש במוצר יש לקרוא ולהבין את הוראות הפעלה המצורפות למוצר, כולל ההערות, הוראות הבטיחות והאזהרות, האיומים והמפרטים. יש ללמוד במיוחד את כל הוראות הבטיחות, האזהרות, המפרטים והפונקציות השונות של המוצר. התעלמות מהנחיה זו מובילה לסכנת התחשמלות, שריפה ופציעות קשות. שמור את הוראות הפעלה, כולל כל הוראות הבטיחות והאזהרות לצורך שימוש בעתיד.
- המוצרים של **HILTI** מיועדים למשתמש המקצועי, ורק אנשים מורשים, שעברו הכשרה מתאימה, רשאים לתפעל, לתחזק ולתקן אותם. אנשים אלה חייבים ללמוד באופן מיוחד את הסכנות האפשריות. המוצר המתואר והעדרים שלו עלולים להיות מסוכנים כאשר אנשים שלא עברו הכשרה מתאימה משתמשים בהם באופן לא מקצועי או כאשר משתמשים בהם שלא בהתאם ליעוד.
- הוראות הפעלה המצורפות נכתבו בהתאם לידיעות הטכנולוגיות במועד השליחה לדפוס. את הגרסה העדכנית ביותר אפשר למצוא תמיד בדף המוצר של Hilti. כדי להגיע לשם, יש לסרוק את קוד ה-QR בהוראות הפעלה האלה, מסומן בסמל .
- אם אתה מעביר את המוצר לאדם אחר, מסור לו גם את הוראות הפעלה האלה.

1.2 הסבר הסימנים

1.2.1 אזהרות

האזהרות מזדהרות מפני סכנות בשימוש במוצר. במדריך זה מופיעות מילות המפתח הבאות:

סכנה 

סכנה!

מציינת סכנה מיידית, המובילה לפציעות גוף קשות או למוות.

אזהרה 

אזהרה!

מציינת סכנה אפשרית, שיכולה להוביל לפציעות גוף קשות או למוות.





זהירות 

זהירות!

מציינת מצב שעלול להיות מסוכן ולהוביל לפציעות גוף או לנזקים לרכוש.


1.2.2 סמלים בהוראות הפעלה

הסמלים הבאים מופיעים בהוראות הפעלה אלה:

שים לב להוראות הפעלה	
הנחיות לשימוש ומידע שימושי נוסף	
טיפול נכון בחומרים למיחזור	
אין להשליך לפסולת הביתית מכשירים חשמליים וסוללות	

1.2.3 סמלים באיומים

הסמלים הבאים משמשים באיומים:

מספרים אלה מפנים לאיור המתאים בתחילת הוראות הפעלה אלה.	2
המספרים באיומים מפנים לשלבי עבודה חשובים או לרכיבים שחשובים לשלבי העבודה. שלבי עבודה אלה או רכיבים אלה מודגשים בטקסט במספרים מתאימים, לדוגמה (3).	3
מספרי הפריטים מופיעים באיור סקירה ותואמים את המספרים במקרא בפרק סקירת המוצר .	11
סימן זה אמור לעורר את תשומת לבך המיוחדת בעת השימוש במוצר.	



הסמלים הבאים עשויים להופיע על המוצר:

V	ולט
A	אמפר
Hz	הרץ
/min	סיבובים לדקה
RPM	סיבובים לדקה
Ø	קוטר
~	זרם חילופים
	דירוג הגנה II (בידוד כפול)
	המוצר תומך בתעבורת נתונים אלחוטית, המתאימה לשימוש עם פלטפורמות iOS ו-Android.

2 בטיחות
2.1 הוראות בטיחות כלליות לכלי עבודה חשמליים

⚠ אזהרה קרא את כל הוראות הבטיחות, ההנחיות, האיומים והבתונים הטכניים המצורפים לכלי העבודה החשמלי. אי ציות להנחיות עלול להוביל להתחשמלות, לשרפה ו/או לפציעות קשות.
שמור את כל הוראות הבטיחות וההנחיות לעיון בעתיד.
 המונח "כלי עבודה חשמלי" המשמש בהוראות הבטיחות מתייחס לכלי עבודה חשמליים המחוברים לרשת החשמל (עם כבל חשמל) או לכלי עבודה חשמליים המופעלים באמצעות סוללה נטענת (ללא כבל חשמל).

בטיחות במקום העבודה

- ◀ **שמור על אזור העבודה שלך נקי ודאג לתאורה מספקת.** חוסר סדר או תאורה לקויה במקום העבודה עלולים לגרום לתאונות.
- ◀ **אין להפעיל את כלי העבודה החשמלי בסביבה שקיימת בה סכנת פיצוץ או שיטנם בה נוזלים, גזים או אבק דליקים.** כלי עבודה חשמליים יוצרים ניצוצות, שעלולים להצית את האבק או האדים.
- ◀ **הרחק ילדים ואנשים אחרים מכלי העבודה החשמלי במהלך השימוש בו.** אם עתך תוסח אתה עלול לאבד את השליטה במכשיר.

בטיחות בחשמל

- ◀ **תקע החשמל של כלי העבודה החשמלי חייב להתאים לשקע החשמל. אסור לשבות בשום אופן את תקע החשמל. אל תשתמש בשקע מתאם ביחד עם כלי עבודה חשמליים הכוללים הגנת הארקה.** שימוש בתקעים חשמליים שלא עברו שינוי ושקעי חשמל מתאימים מפחית את הסיכון להתחשמלות.
- ◀ **מנע מגע של הגוף בשטחים מוארקים כגון צינורות, גופי חימום, תנורים ומקררים.** קיימת סכנה גבוהה להתחשמלות כאשר הגוף שלך מוארק.
- ◀ **הרחק כלי עבודה חשמליים מגשם או רטיבות.** חדירת מים לכלי העבודה החשמלי מגדילה את הסיכון להתחשמלות.
- ◀ **אל שתשתמש בכבל החשמל למטרות שלא לשמן הוא נועד, לדוגמה: אל תרים את כלי העבודה החשמלי באמצעות הכבל ואל תנסה לנתק את התקע משקע החשמל במשיכה מהכבל. הרחק את הכבל מחום, שמן, פינות חדות או מחלקים נעים.** כבלים שניזוקו או שהסתבכו בחלקים אחרים מגדילים את הסיכון להתחשמלות.
- ◀ **כאשר אתה עובד עם כלי העבודה החשמלי בחוץ, השתמש רק בכבל מאריך המיועד לשימוש חיצוני.** שימוש בכבל מאריך המתאים לשימוש חיצוני מפחית את הסיכוי להתחשמלות.
- ◀ **אם לא ניתן להימנע משימוש בכלי העבודה החשמלי בסביבה לחה, השתמש בממסר פחת.** השימוש בממסר פחת מפחית את הסיכון להתחשמלות.

בטיחות של אנשים

- ◀ **היה ערני, שים לב למה שאתה עושה, ופעל בתבונה כאשר אתה עובד עם כלי עבודה חשמלי. אל תפעיל כלי עבודה חשמליים כשאתה עייף או תחת השפעת סמים, אלכוהול או תרופות.** די ברגע אחד של חוסר תשומת-לב בדמן השימוש בכלי העבודה החשמלי כדי לגרום פציעות קשות.



- ◀ **לבש תמיד ציוד מגן ומשפטי מגן.** לבישת ציוד מגן אישי, כגון מסכת אבק, נעלי בטיחות מונעות החלקה, קסדת מגן או מגני שמיעה – בהתאם לסוג השימוש בכלי העבודה החשמלי – מקטינה את הסיכון לפציעות.
- ◀ **מנע הפעלה בשוגג.** ודא שכלי העבודה החשמלי כבוי לפני שאתה מחבר אותו לאספקת החשמל ו/או לפני שאתה מחבר את הסוללה ולפני הרמתו. אל תניח את אצבעך על המתג בזמן שאתה נושא את המכשיר ואל תחבר אותו לאספקת החשמל כאשר הוא מופעל, אחרת עלולות להיגרם תאונות.
- ◀ **הרחק כלי כוונון או מפתחות ברגים לפני שאתה מפעיל את כלי העבודה החשמלי.** כלי עבודה או מפתחות הנמצאים בקרבת חלקים מסתובבים עלולים לגרום פציעות.
- ◀ **הימנע מתנוחות גוף לא נכונות.** עמוד באופן יציב ושומר תמיד על שיווי משקל. כך תוכל לשלוט טוב יותר בכלי העבודה החשמלי במצבים לא צפויים.
- ◀ **לבש בגדים מתאימים.** אל תלבש בגדים רחבים או תכשיטים. הרחק את השער, הבגדים וכפפות מחלקים נעים. בגדים רופפים, תכשיטים ושיער ארוך עלולים להיתפס בחלקים נעים.
- ◀ **כאשר ניתן להתקין התקני שאיבת אבק ולכידה יש לוודא שהם מחוברים לחשמל, ויש להקפיד להשתמש בהם בצורה נכונה.** שימוש בהתקן שאיבת אבק מקטין את הסכנות הנובעות מהאבק.
- ◀ **אל היהיה שאנן בנושאי בטיחות ואל תתעלם מהוראות בטיחות של כלי עבודה חשמליים, גם אם שהשתמשת במכשיר פעמים רבות ואתה מכיר אותו היטב.** התנהגות רשלנית עלולה להוביל לפציעות קשות בתוך שניות.

שימוש וטיפול בכלי העבודה החשמלי

- ◀ **אל תפעיל עומס רב מדי על המכשיר.** השתמש בכלי העבודה החשמלי המתאים לעבודה שאתה מבצע. כלי העבודה החשמלי המתאים מבטיח לך עבודה טובה ובטוחה יותר בתחום ההספק הנקוב.
- ◀ **אל תשתמש בכלי העבודה אם המתג שלו אינו תקין.** כלי עבודה חשמלי שלא ניתן עוד להפעיל או לכבות אותו מהווה סכנה ויש לתקנו.
- ◀ **נקט את תקע החשמל מהשקע ו/או הסר את הסוללה לפני שאתה מבצע כוונונים במכשיר, מחליף כלים או לאחר שאתה מפסיק לעבוד עם המכשיר.** אמצעי זהירות זה מונע הפעלה בשוגג של כלי העבודה החשמלי.
- ◀ **שמור כלי עבודה חשמליים שאינם בשימוש הרחק מהישג ידם של ילדים.** אל תאפשר לאנשים שאינם יודעים כיצד להשתמש במכשיר או שלא קראו את ההוראות להשתמש במכשיר. כלי עבודה חשמליים הם מסוכנים כאשר משתמשים בהם אנשים חסרי ניסיון.
- ◀ **טפל בכלי עבודה חשמליים ובאביזרים בהקפדה.** בדוק אם החלקים הנעים פועלים בצורה חלקה ואינם נתקעים, אם ישנם חלקים שבורים או מקולקלים המשבשים את הפעולה התקינה של כלי העבודה החשמלי. לפני השימוש במכשיר דאג לתיקון חלקים לא תקינים. תאונות רבות נגרמו עקב תחזוקה לקויה של כלי עבודה חשמליים.
- ◀ **שמור על כלי החיתוך חדים ונקיים.** כלי חיתוך מטופלים היטב, שלהביהם חדים נתקעים פחות וקלים יותר לתפעול.
- ◀ **השתמש בכלי העבודה החשמלי, באביזרים, בכלי העבודה הנוספים וכן הלאה בהתאם להוראות אלה.** התחשב בתנאי העבודה ובפעולה שעליך לבצע. שימוש בכלי העבודה החשמלי למטרות אחרות מאלה שלשמן הוא מיועד עלול להיות מסוכן.
- ◀ **שמור על ידיות ואזורים אחידה נקיים מכלוך משומן ומגריד.** ידיות ואזורים אחידה חלקים אינם מאפשרים תפעול בטוח ושליטה טובה בכלי העבודה החשמלי במצבים לא צפויים.

שירות

- ◀ **דאג לתיקון כלי העבודה החשמלי שלך רק בידי טכנאים מוסמכים, המשתמשים בחלקי חילוף מקוריים בלבד.** כך תבטיח שמירה על בטיחות העבודה במכשיר.

2.2 הוראות בטיחות לפטישוניים

הנחיות בטיחות לכל העבודות

- ◀ **השתמש במגני שמיעה.** רעש חזק עלול לפגוע בשמיעה.
- ◀ **השתמש בידיות האחיזה הנוספות המצורפות למכשיר.** אובדן השליטה במכשיר עלול לגרום לפציעות.
- ◀ **אחז במכשיר במקומות האחיזה המבודדים כאשר אתה מבצע עבודות שבהן כלי הקידוח עלול לפגוע בקווי חשמלי מוסתרים או בכבל החשמל של המכשיר.** מגע בקווים המוליכים זרם עלול להעביר זרם גם לחלקים מתכתיים במכשיר שלך ולגרום להתחשמלות.

הנחיות בטיחות לשימוש במקדחים ארוכים

- ◀ **התחל כל קידוח בסל"ד נמוך, כשהמקדח נוגע בחלק שבעבודה.** קידוח בסל"ד גבוה יותר עשוי לגרום למקדח להתעקם מעט כאשר הוא מסתובב בחופשיות ללא מגע בחלק שבעבודה ולגרום לפציעות.
- ◀ **דחף את המקדח רק בכיוון האורכי וללא הפעלת לחץ מופרז.** המקדחים עשויים להתעקם ועקב כך להישר או לגרום לאובדן שליטה ולפציעות.

2.3 הוראות בטיחות נוספות לפטישוניים

בטיחות של אנשים

- ◀ **השתמש במוצר ובאביזרים רק בתנאי שהם נמצאים במצב טכני מושלם.**
- ◀ **אל תבצע בשום אופן שינויים או מניפולציות במוצר או באביזרים.**
- ◀ **השתמש בידיות העזר המצורפות למוצר.** אובדן שליטה עלול לגרום לפציעות.
- ◀ **עבודות פריצה יש לבטט את האזור בצד הנגדי של מקום העבודה שלך.** חומרים מעבודות הפריצה עשויים ליפול ולפגוע באנשים אחרים.



- ◀ אחוז את המוצר היטב תמיד בשתי ידיים בידידות האחיזה שלו. שמור על ידידות האחיזה נקיזת ויבשות.
- ◀ כאשר אתה במצב עבודות שבהן האביזר המחובר עלול לפגוע בקווי חשמלי מוסתרים אחד במוצר במקומות האחיזה המבודדים. מגע בקווים המוליכים זרם עלול להעביר זרם גם לחלקים מתכתיים במכשיר שלך ולגרום להתחשמלות.
- ◀ אין לגעת בחלקים מסתובבים – סכנת פציעה!
- ◀ במהלך השימוש במוצר לבש מגני עיניים, קסדת הגנה, מגני שמיעה ומסכת נשימה מתאימה.
- ◀ לבש נעלי בטיחות בעת החלפת כלי. מגע בכלי עלול לגרום לפציעות ולכוויות.
- ◀ השתמש במגני עיניים. שבבי חומר שניתזים עלולים לפצוע את הגוף והעיניים.
- ◀ אבק שנוצר במהלך ליטוש, השחזה, חיתוך או קידוח עלול להכיל כימיקלים מסוכנים. להלן כמה דוגמאות: עופרת או צבעים על בסיס עופרת; לבנים, בטון וחומרי קיר אחרים, אבן טבעית ומוצרים אחרים המכילים סיליקט; עצים מסוימים, כגון אלון, בוק ועץ שעבר טיפול כימי; אסבסט או חומרים המכילים אסבסט. יש למדוד את חשיפת המשתמש והאנשים בסביבה על פי דירוג הסכנה של החומרים שבהם עובדים. נקט את האמצעים הדרושים כדי לשמור את החשיפה ברמה בטוחה, לדוגמה שימוש במערכות שאיבת אבק או לבישת מסיכת נשימה מתאימה. להלן רשימה של אמצעים כלליים להפחתת החשיפה:
- ◀ עבודה באזור מאוורר היטב.
- ◀ הימנעות ממגע ממושך עם האבק.
- ◀ סילוק האבק מהפנים והגוף.
- ◀ לבישת ביגוד מגן ושטיפת אזורים חשופים במים וסבון.
- ◀ ערוך הפסקות תכופות ותרגילים לשיפור זרימת הדם לאצבעות. בעבודה ממושכת הרעידות החזקות מהמכשיר עשויות לגרום להפרעות בכלי הדם או במערכת העצבים של האצבעות, כפות הידיים או שורשי כף היד.

בטיחות בחשמל

- ◀ לפני תחילת העבודה בדוק אם ישנם כבלי חשמל, צינורות גז או מים נסתרים. חלקים מתכתיים חיצוניים על המכשיר עלולים לגרום התחשמלות או פיצוץ כאשר פוגעים בכבל חשמל, בצינור גז או מים.

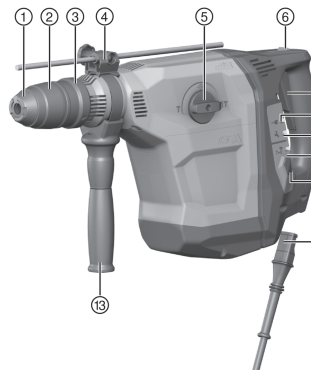
טיפול ושימוש קפדניים בכלי עבודה חשמליים

- ◀ כבה את המוצר מיד אם הכלי נתקע. המכשיר עשוי לסטות הצדה.
- ◀ המתן עד לעצירה מלאה של המוצר לפני שאתה מניח אותו.

3 תיאור

3.1 סקירת המוצר

- ① כיסוי הגנה מאבק
- ② תפסנית
- ③ שחרור כלים
- ④ מעצור עומק (אביזר)
- ⑤ בורר פעולות
- ⑥ נעילת האדמל
- ⑦ מתג הפעלה
- ⑧ אות תפקוד
- ⑨ חיווי טיפולים
- ⑩ חיווי חצי עוצמה
- ⑪ מתג חצי עוצמה
- ⑫ כבל חשמל עם תקע מקודד, נשלף
- ⑬ ידית אחיזה צדית



3.2 שימוש בהתאם לייעוד

המוצר המתואר זהו פטישון חשמלי משולב בעל מערכת הלימה פניאומטית. הוא מיועד לעבודות קידוח בבטון, קירות לבנים, עץ ומתכת. ניתן להשתמש במוצר גם לעבודות חציבה קלות עד בינוניות בקירות ולטיפול משלים בבטון.

◀ מותר לחבר את המכשיר רק לרשת חשמל בעלת מתח ותדירות כמצוין על לוחית הדגם.

3.3 עוגן סמוי

המכשיר מתאים להחדרת עוגנים סמויים. השתמש רק בכלי החדרה מתאימים!
 מידע נוסף על כך תוכל לקבל ממשווק Hilti.



3.4 שימוש שגוי אפשרי

- מוצר זה אינו מיועד לעבודה בחומרים המהווים סכנה בריאותית.
- מוצר זה אינו מיועד לעבודה בסביבה לחה.

3.5 Active Vibration Reduction

המוצר מצויד במערכת (AVR) Active Vibration Reduction, שמפחיתה את הרעידות באופן משמעותי.

3.6 ATC

המוצר מצויד בפונקציית כיבוי אלקטרוני מהיר (Active Torque Control) ATC. אם הכלי המחובר נחסם או נתקע, המוצר יתחיל להסתובב בפתאומיות בצורה לא מבוקרת לכיוון ההפוך. ATC מזהה את תנועת הסיבוב הפתאומית הזו של המוצר ומכבה מיד את המוצר.

לצורך תפקוד תקין המוצר צריך להיות מסוגל להסתובב. לאחר הכיבוי המהיר, כבה את המוצר והפעל אותו מחדש.



3.7 חיווי טיפולים

המוצר מצויד בנורית חיווי לטיפולים.

3.7.1 מצב חיווי טיפולים

מצב	משמעות
חיווי הטיפולים מאיר.	הגיע מועד הטיפול במכשיר.
חיווי הטיפולים מהבהב.	הבא את הפטישון המשולב לתיקון במעבדה של Hilti.

3.8 מפרט אספקה

פטישון משולב, ידית אחיזה צדית, הוראות הפעלה. מוצרים נוספים המאזרים עבור המוצר שלך תמצא ב-Hilti Store או בכתובת: www.hilti.group

4 נתונים טכניים

4.1 פטישון משולב

את המתח הנקוב, הזרם הנקוב, התדירות וההספק הנקוב תמצא בלוחית הדגם הספציפית למדינתך. בעת הפעלה באמצעות גנרטור או שנאי הספק המוצא שלהם חייב להיות לפחות כפול מההספק הנקוב המצוין על לוחית הדגם של המכשיר. מתח העבודה של השנאי או הגנרטור חייב להימצא תמיד בטווח שבין +5% לבין -15% ביחס למתח הנקוב של המכשיר.



דור המוצר	04
משקל בהתאם להליך EPTA 01	10 ק"ג

4.2 מידע על רעשים וערכי רעידות

ערכי לחץ הקול והרעידות המצוינים בהוראות אלה נמדדו בהתאם לנוהל המדידה התקי, וניתן להשתמש בהם לצורך השוואה בין כלי עבודה חשמליים. הם מתאימים גם להערכה זמנית של העומסים. הנתונים המצוינים תקפים לשימושים העיקריים בכלי העבודה החשמלי. אולם אם משתמשים בכלי העבודה החשמלי לשימושים אחרים, בשילוב אביזרים אחרים או אם המכשיר אינו עובר תחזוקה מספקת, הנתונים עשויים להשתנות. בעקבות זאת פריסת העומסים למשך זמן העבודה כולו עשויה להיות גבוהה באופן משמעותי. לצורך הערכה מדויקת של העומסים יש לקחת בחשבון גם את הזמנים שבהם כלי העבודה כבוי או שבהם הוא אמנם פועל אך אינו בשימוש בפועל. בעקבות זאת פריסת העומסים למשך זמן העבודה כולו עשויה להיות נמוכה באופן משמעותי. יש לבקבוע הנחיות בטיחות נוספות להגנה על המשתמש מפני ההשפעות של קול ו/או רעידות, כגון: תחזוקה של כלי העבודה החשמלי ושל כלי העבודה המחבורים, שמירה על ידיים חמות, ארגון תהליכי העבודה.

מידע מפורט על גרסאות תקני EN 62841 הישימים תמצא בתמונת הצהרת התאימות 23.



111 dB(A)	רמת הספק קול (L_{WA})
3 dB(A)	אי-ודאות ברמת הספק הקול (K_{WA})
103 dB(A)	רמת לחץ קול (L_{pA})
3 dB(A)	אי-ודאות ברמת לחץ קול (K_{pA})

ערכי רעידות כוללים

8.6 מ'שנ"2	ערכי רעידות של קידוח בהלימה בטון ($a_{h,HD}$)
7.8 מ'שנ"2	ערכי רעידות חציבה ($a_{h,Cheq}$)
1.5 מ'שנ"2	אי ודאות (K)

5 תפעול
5.1 הכנה לעבודה
⚠ זהירות

סכנת פציעה! תחילת תנוע לא מכוונת של המוצר.

⬅ נתק את תקע החשמל לפני שאתה מבצע כוונונים במכשיר או מחליף אביזרים.

ציית להוראות הבטיחות והאזהרות שבתיעוד זה ולא לה המצוינות על המוצר.

5.1.1 חיבור כבל חשמל בנשלף
⚠ זהירות

סכנת פציעה עקב זרם דלף במגעים מולוכים.

⬅ יש לחבר חיבורים חשמליים בנשלפים למכשיר רק במצב נקי, יבש וללא מתח.

1. הכנס את תקע החיבור החשמלי הנשלף למוצר עד הסוף, עד שאתה שומע אותו ננעל במוצר.
2. חבר את תקע החשמל לשקע רשת החשמל.

5.1.2 ניתוק כבל חשמל בנשלף מהמכשיר החשמלי

1. נתק את תקע החשמל משקע רשת החשמל.
2. לחץ על לחצן הנעילה ומשוך את התקע החשמלי הנשלף, המקודד החוצה.
3. נתק את כבל החשמל מהמכשיר.

5.1.3 התקנת ידית האחיזה הצדית 2
⚠ זהירות

סכנת פציעה אובדן השליטה במוצר.

⬅ ודא כי ידית האחיזה הצדית מותקנת בצורה נכונה ומהודקת היטב. ודא שחבק הידוק נמצא בחריץ המיועד לו במוצר.

1. סובב את הידית כדי לשחרר את המחזיק (חבק) של ידית האחיזה.
2. דחף את המחזיק (חבק) מלפנים על פני התפסנית עד לחריץ המיועד.
3. מקם את יחידת האחיזה הצדית במיקום המבוקש.
4. סובב את הידית כדי למתוח את המחזיק (חבק).

5.1.4 התקנת מעצור עומק (אופציונלי) 3

1. סובב את הידית כדי לשחרר את המחזיק (חבק) של ידית האחיזה.
2. דחף את מעצור העומק מלפנים אל 2 חורי ההולכה הייעודיים.
3. סובב את הידית כדי למתוח את המחזיק (חבק).

5.1.5 קיבוע מתג ההפעלה

במצב חציבה ניתן לנעול את מתג ההפעלה במצב מופעל.



⬅ הפעל את קיבוע מתג ההפעלה.



שימוש בגריד לא מתאים עלול לגרום נדק למוצר. **השתמש רק בגריד מקורי של Hilti.**



1. שמן קלות את הקנה של הכלי.
 - ◀ השתמש רק בגריד מקורי של Hilti. גריד לא מתאים עלול לגרום נדקים למוצר.
2. הכנס את קנה הכלי לתפסנית עד הסוף ואפשר לו להינעל.
3. לאחר חיבור הכלי משוך אותו לניסיון כדי לוודא שהוא נעול היטב.
 - ◀ המוצר מוכן לעבודה.

5.1.7 הוצאת הכלי

◀ משוך את נעילת הכלים אחורה עד הסוף והוצא את הכלי.

השתמש רק בגריד מקורי של Hilti. שימוש בגריד לא מתאים עלול לגרום נדק למוצר.



5.1.8 כוונן העוצמה



ניתן לקבוע את העוצמה רק כאשר המכשיר פועל. כדי לכוונן את העוצמה לחץ על לחצן "חצי עוצמה". נורית חיווי העצמה תידלק כדי לסמן שהמכשיר עובד בחצי עוצמה. לחיצה נוספת על לחצן "חצי עוצמה" תחזיר את המכשיר לעצמה מרבית ונורית החיווי תכבה. לאחר כיבוי והפעלה מחדש של המוצר הוא יפעל בעוצמה המלאה.

◀ כוונן את העוצמה.

5.2 עבודה

אזהרה ⚠

סכנת התחשמלות! מוליך הארקה חסר ומפסק פחת חסר עשויים לגרום לפציעות קשות ולכוויות.

- ◀ ודא שבקווים החשמליים של אתר הבנייה - שמגיעים מרשת החשמל או מהגנרטור - ישנם תמידי מוליך הארקה ומפסק פחת מחוברים.
- ◀ אל תפעיל אף מוצר ללא אמצעי בטיחות אלה.

אזהרה ⚠

סכנה עקב כבל פגום! אם כבל החשמל או הכבל המאריך ניזוקו במהלך העבודה, נתק את מיד את המכשיר עם הכבל מרשת החשמל. אל תגיע במקום הפגום!

- ◀ בדוק באופן סדיר את כל הכבלים. החלף כבל מאריך לא תקין.

בקש אישור לעבודות במלואן ממנהל האתר.

5.2.1 קידוח ללא הלימה



קידוח ללא הלימה אפשרי עם כלים בעלי ציר מיוחד. ניתן להזמין כלים כאלה ישירות מ-Hilti. בתפסנית המהירה ניתן להדק כלים דוגמת מקדחי עץ או מקדחי מתכת בעלי ציר צילינדר ו להשתמש בהם לקידוח ללא הלימה.

◀ העבר את בורר הפעולות לעמדה זו.

5.2.2 קידוח עם הלימה

◀ העבר את בורר הפעולות לעמדה זו.

5.2.3 מיקום האזמל

זהירות ⚠

סכנת פציעה! אבדן השליטה על כיוון החציבה.

- ◀ אל תעבוד במצב "מיקום האזמל". העבר את בורר הפעולות למצב "חציבה", וודא שהוא ננעל במצב זה.



ייתן למקם את האדמל ב-24 מצבים שונים (מרווחים של 15°). כך ניתן לעבוד באדמלים שטוחים ומעוצבים במצב העבודה הטוב ביותר.

◀ העבר את בורר הפעולות לעמדה זו.

5.2.4 חציבה

◀ העבר את בורר הפעולות לעמדה זו T.

6 טיפול ותחזוקה

⚠ אזהרה

סכנת התחשמלות! עבודות טיפול ותחזוקה כאשר תקע החשמל מחובר לשקע עלולות להוביל לפציעות ולכוויות קשות. לפני ביצוע עבודות טיפול או תחזוקה כלשהן יש להקפיד ולנתק את תקע החשמל!

טיפול

- הסר בזהירות לכלוך שנדבק.
- נקה בזהירות את חריצי האוורור באמצעות מברשת יבשה.
- נקה את גוף המכשיר רק בעזרת מטלית לחה מעט. אין להשתמש בחומרי טיפול המכילים סיליקון, מאחר שהם עלולים לפגוע בחלקי הפלסטיק.

תחזוקה

⚠ אזהרה

סכנת התחשמלות! תיקון לא מקצועי של רכיבים חשמליים עלול לגרום לפציעות קשות ולכוויות. רק חשמלאים מורשים רשאים לבצע תיקונים ברכיבים חשמליים.

- יש לבדוק באופן סדיר את כל החלקים הגלויים כדי לאתר נדקים ולוודא שכל הרכיבים פועלים באופן תקין.
- אם ישנם נדקים ו/או תקלות אין להפעיל את המוצר. הבא מיד את המכשיר לתיקון במעבדת שירות של Hilti.
- לאחר עבודות טיפול ותחזוקה יש להקפיד ולחבר את כל התקני ההגנה ולבדוק את תפקוד המכשיר.

לצורך הפעלה בטוחה של המכשיר יש להשתמש רק בחלקי חילוף וחומרים מתכלים מקוריים. את חלקי החילוף, החומרים המתכלים והאביזרים שאושרו על-ידנו עבור המוצר שלך תמצא ב-Hilti Store שלך או בכתובת: www.hilti.group.

6.1 ביקוי כיסוי ההגנה מפני אבק

- ◀ נקה באופן סדיר את כיסוי ההגנה מפני אבק בתפסנית באמצעות מטלית נקיה ויבשה.
- ◀ נגב בזהירות את שפת האיטום ושמן אותה קלות באמצעות גריד של Hilti.
- ◀ אם שפת האיטום ניזוקה יש להחליף את כיסוי ההגנה מפני אבק ללא דיחוי.

7 הובלה ואחסון

- אין להוביל את המכשיר החשמלי כאשר מחובר אליו כלי.
- יש להקפיד לנתק את תקע החשמל לפני אחסון המכשיר.
- יש לשמור את המכשיר במקום יבש הרחק מהישג ידם של ילדים ואנשים לא מורשים.
- לאחר הובלה או אחסון ממושך יש לבדוק את המכשיר החשמלי לפני משתמשים בו שוב, כדי לאתר נדקים.

8 תיקון תקלות

אם מתרחשת תקלה שאינה מוסברת בטבלה זו או שאינך יכול לתקן בעצמך, פנה לשירות של Hilti.

8.1 איתור תקלות

תקלה	סיבה אפשרית	פתרון
המוצר אינו מתחיל לפעול.	אספקת החשמל נותקה.	◀ חבר מכשיר חשמלי אחר ובדוק אם הוא פועל.
	גנרטור במצב שינה.	◀ העמס על הגנרטור באמצעות צרכן שני (כגון תאורת אתר בנייה). לאחר מכן כבה את המוצר והדלק אותו מחדש.



תקלה	סיבה אפשרית	פתרון
המוצר אינו מתחיל לפעול.	חסימת ההפעלה האלקטרונית בכבסה לפעולה לאחר ניתוק החשמל.	◀ כבה את המוצר והדלק אותו מחדש.
	כבל החשמל הנשלף אינו מחובר נכון.	◀ חבר את כבל החשמל הנשלף למכשיר החשמלי בצורה נכונה.
	מברשות הפחם נשחקו.	◀ מסור לחשמלאי לבדיקה, ובמקרה הצורך החלף.
אין הלימה.	המוצר קר מדי.	◀ הצמד את המוצר לחומר לחומר ואפשר לו לעבוד במצב סרק. חזור על הפעולה לפי הצורך עד שמערכת ההלימה מתחילה לעבוד.
המוצר אינו פועל בעוצמה מלאה.	הכבל המאריך ארוך מדי ו/או הקוטר שלו קטן מדי.	◀ השתמש בכבל מאריך באורך נכון ו/או בעל קוטר גדול מספיק.
	מתג הפעלה לא נלחץ עד הסוף.	◀ לחץ על מתג ההפעלה עד הסוף.
	מתח אספקת החשמל נמוך מדי.	◀ חבר את המוצר למקור חשמל אחר.
	לחצן חצי עוצמה מופעל.	◀ לחץ על לחצן "חצי עוצמה".
המקדח אינו מסתובב.	בורר הפעולות לא נתפס בעמדה או שהוא נמצא בעמדה "חציבה" T או בעמדה "מיקום האזמל" ->.	◀ כשהמכשיר אינו מסתובב העבר את בורר הפעולות לעמדה "קידוח בהלימה" T.
לא ניתן לשחרר את המקדח מהנעילה.	התפסנית לא נמשכה לאחור עד הסוף.	◀ משוך את נעילת הכלים לאחור עד הסוף והוצא את הכלי.
	ידית האחיזה הצדית אינה מותקנת נכון.	◀ שחרר את ידית האחיזה הצדית והתקן אותה בצורה נכונה, כך שהרצועה וידית האחיזה הצדית יתפסו בשקע.
כאשר המקדח נתקע המוצר נכבה.	התקן ההגנה האלקטרוני הופעל כדי למנוע היתקעויות נוספות.	◀ שחרר את המקדח.
חיווי הטיפולים מהבהב.	נדקים במוצר.	◀ פנה לשירות של Hilti כדי לתקן את המוצר.
חיווי הטיפולים מאיר.	מברשות הפחם נשחקו.	◀ מסור לחשמלאי לבדיקה, ובמקרה הצורך החלף.

9 סילוק

המוצרים של Hilti מיוצרים בחלקם הגדול מחומרים ניתנים למיחזור. כדי שניתן יהיה למחזורם דרושה הפרדת חומרים מקצועית. במדינות רבות Hilti תקבל את המכשיר הישן שלך בחזרה לצורך מיחזור. פנה לשירות של Hilti או למשווק.

אין להשליך כלי עבודה חשמליים, כלים אלקטרוניים וסוללות לפסולת הביתית!

10 RoHS (תקנה להגבלת השימוש בחומרים מסוכנים)

בקיפול הבא תמצא את טבלת החומרים המסוכנים: qr.hilti.com/r6851673. קישור לטבלת RoHS תמצא בסוף תיעוד זה, בצורת קוד QR.

11 אחריות יצרן

◀ אם יש לך שאלות בנושא תנאי האחריות, אנא פנה למשווק Hilti הקרוב אליך.





en Declaration of conformity**Declaration of conformity**

The manufacturer declares, on his sole responsibility, that the product described here complies with the applicable legislation and standards.

The technical documentation is filed here:

Hilti Entwicklungsgesellschaft mbH | Tool Certification | Hiltistrasse 6 | D-86916 Kaufering, Germany

Product information

Combihammer	TE 70-ATCAVR
Generation	04
Serial no.	1-9999999999



הצהרת תאימות

היצרן מצהיר באחריותו הבלעדית כי המוצר המתואר כאן עונה על דרישות החוק התקפות והתקנים התקפים.

התיעוד הטכני שמור כאן:

Hilti Entwicklungsgesellschaft mbH | Zulassung Geräte | Hiltistraße 6 | 86916 Kaufering, Germany

נתוני המוצר

TE 70-ATCAVR	פטישון משולב
04	דור
9999999999-1	מס' סידורי

Hilti Corporation
Feldkircherstraße 100
9494 Schaan | Liechtenstein



TE 70-ATC/AVR (04)

2006/42/EC
2014/30/EU
2011/65/EU

EN 62841-1:2015, AC:2015,
A11:2022
EN IEC 55014-1:2021
EN IEC 61000-3-2:2019, A1:2021

EN IEC 62841-2-6:2020/A11:2020
EN IEC 55014-2:2021
EN 61000-3-3:2013, A1:2019,
A2:2021, A2:2021/AC:2022

Schaan, 29.03.2024

Dr. Tahar Zrilli
Head of Quality and Process Management
Business Area Electric Tools & Accessories

Edward-Louis Przybylowicz
Head of BU Power Tool & Accessories
Business Area Electric Tools & Accessories



en UK Declaration of Conformity**Declaration of conformity**

The manufacturer declares, on his sole responsibility, that the product described here complies with the applicable legislation and standards.

The technical documentation is filed here:

Hilti Entwicklungsgesellschaft mbH | Tool Certification | Hiltistrasse 6 | D-86916 Kaufering, Germany

Product information

Combihammer	TE 70-ATC/AVR
Generation	04
Serial no.	1-99999999999

Manufacturer:

Hilti Corporation
Feldkircherstraße 100
9494 Schaan | Liechtenstein

TE 70-ATC/AVR (04)

Supply of Machinery (Safety) Regulations
2008

Electromagnetic Compatibility Regulations
2016

The Restriction of the Use of Certain
Hazardous Substances in Electrical and
Electronic Equipment Regulations 2012

UK Importer:

Hilti (Gt. Britain) Limited
No. 1 Circle Square, 3 Symphony Park
Manchester, England, M1 7FS



EN IEC 62841-2-6:2020/A11:2020

EN IEC 55014-2:2021

EN 61000-3-3:2013, A1:2019,

A2:2021, A2:2021/AC:2022

EN 62841-1:2015, AC:2015,

A11:2022

EN IEC 55014-1:2021

EN IEC 61000-3-2:2019, A1:2021

Schaan, 29.03.2024

Dr. Tahar Zrilli

Head of Quality and Process Management
Business Area Electric Tools & Accessories

Edward-Louis Przybyłowicz

Head of BU Power Tool & Accessories
Business Area Electric Tools & Accessories







Hilti Corporation
LI-9494 Schaan
Tel.:+423 234 21 11
Fax:+423 234 29 65
www.hilti.group



2244431