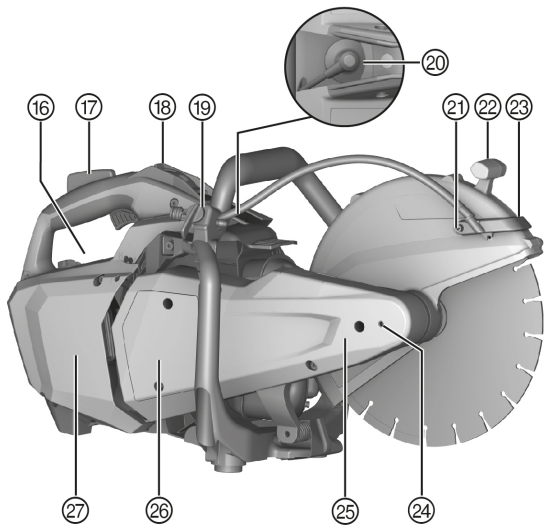
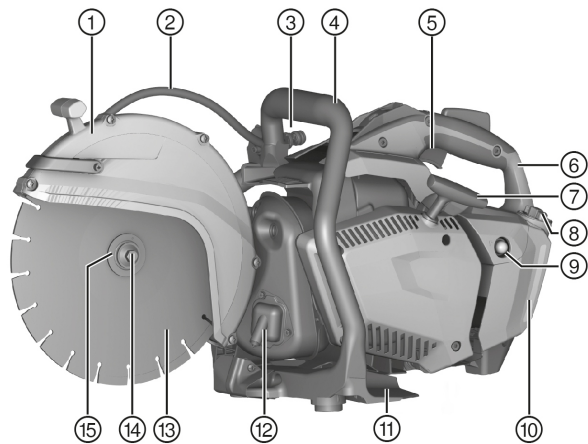


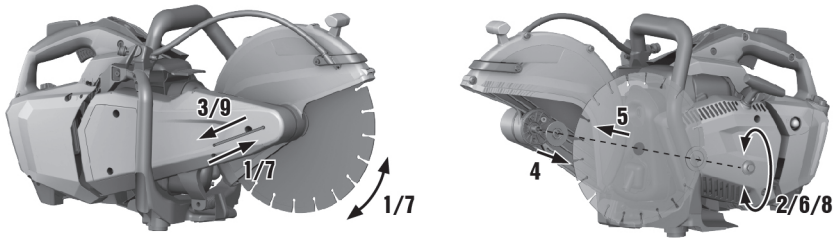


DSH 600-X

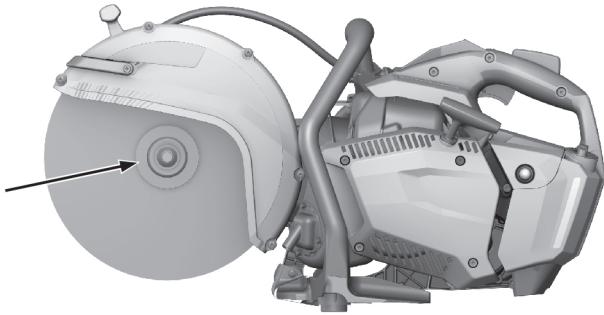
English



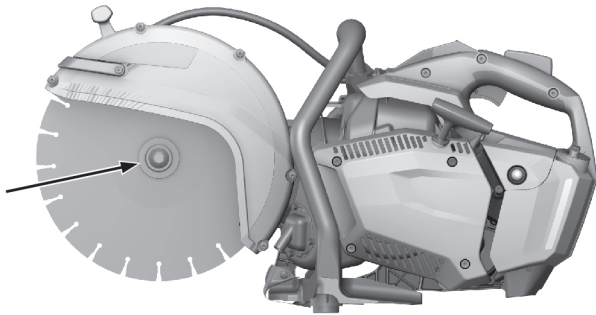
2



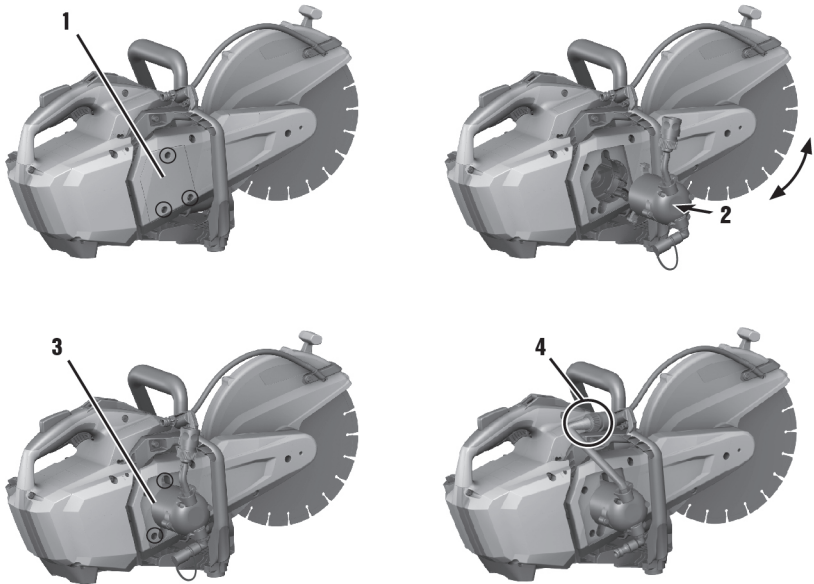
3



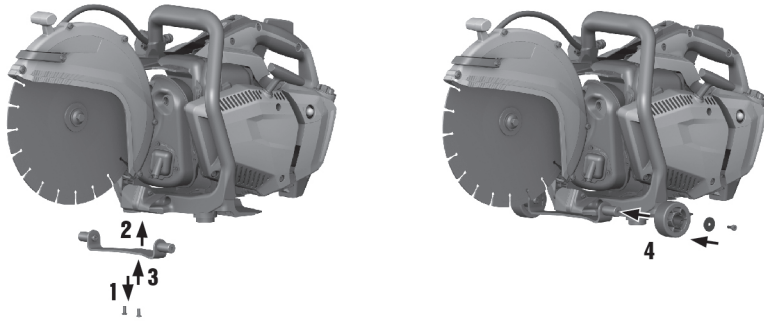
4



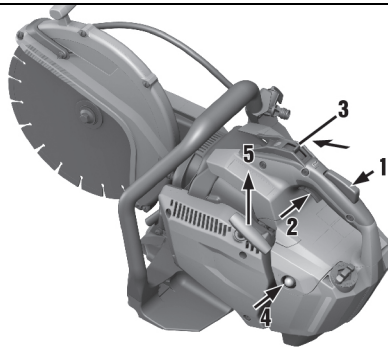
5



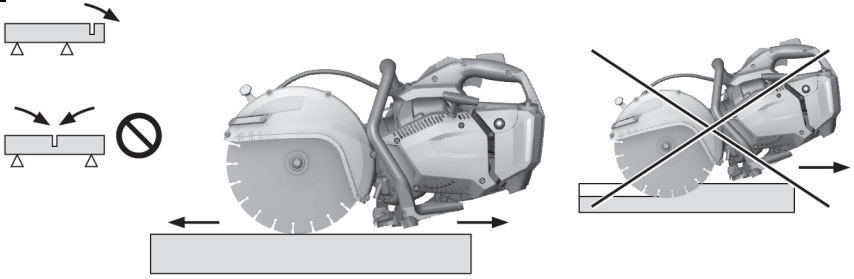
6



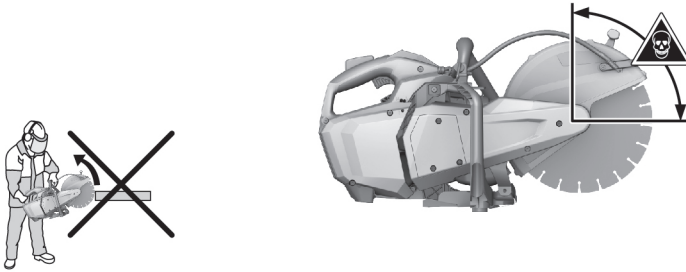
7



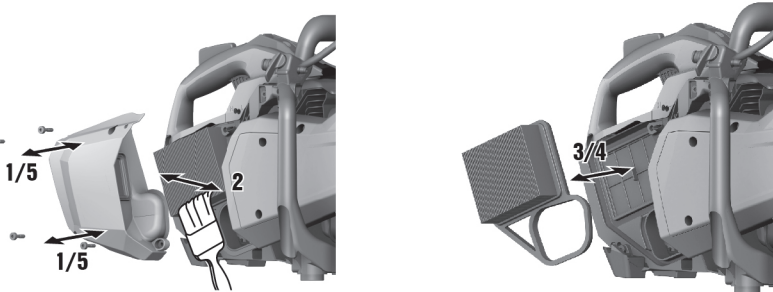
8



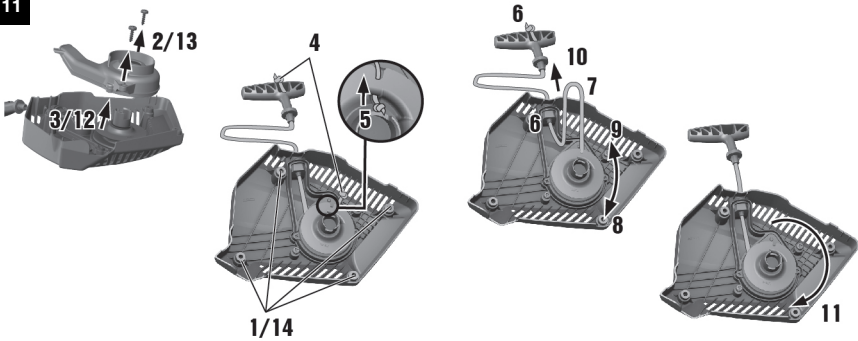
9



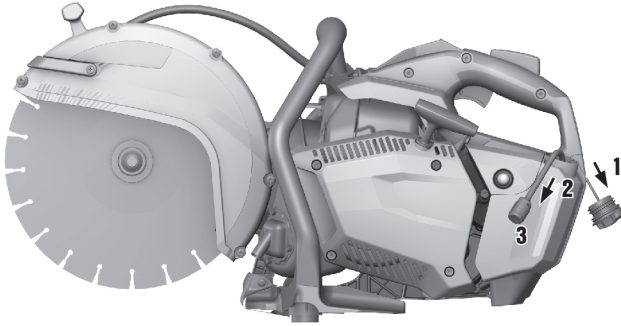
10



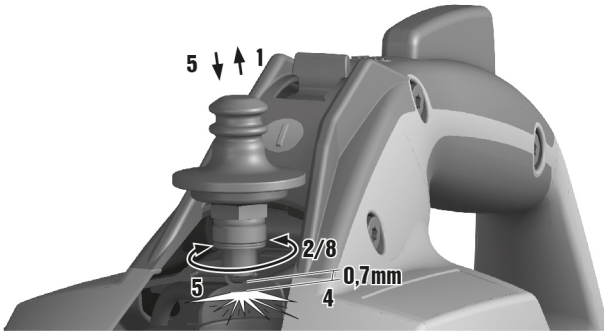
11



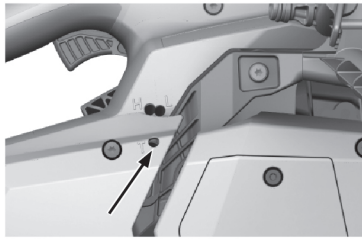
12



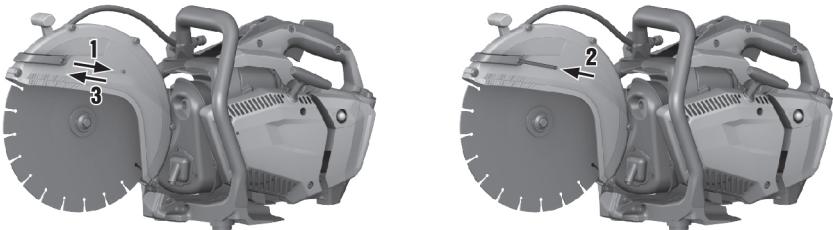
13



14



15



# DSH 600-X

en    Original operating instructions ..... 1





# Original operating instructions

## 1 Information about the documentation

### 1.1 About this documentation

- Read this documentation before initial operation or use. This is a prerequisite for safe, trouble-free handling and use of the product.
- Observe the safety instructions and warnings in this documentation and on the product.
- Always keep the operating instructions with the product and make sure that the operating instructions are with the product when it is given to other persons.

### 1.2 Explanation of symbols used

#### 1.2.1 Warnings

Warnings alert persons to hazards that occur when handling or using the product. The following signal words are used:

**DANGER**

**DANGER !**

- ▶ Draws attention to imminent danger that will lead to serious personal injury or fatality.

**WARNING**

**WARNING !**

- ▶ Draws attention to a potential threat of danger that can lead to serious injury or fatality.

**CAUTION**

**CAUTION !**

- ▶ Draws attention to a potentially dangerous situation that could lead to personal injury or damage to the equipment or other property.

#### 1.2.2 Symbols in the operating instructions

The following symbols are used in these operating instructions:

	Comply with the operating instructions
	Instructions for use and other useful information
	Dealing with recyclable materials
	Do not dispose of electric equipment and batteries as household waste

#### 1.2.3 Symbols in illustrations

The following symbols are used in illustrations:

	These numbers refer to the illustrations at the beginning of these operating instructions.
	The numbering reflects the sequence of operations shown in the illustrations and may deviate from the steps described in the text.
	Item reference numbers are used in the <b>overview illustration</b> and refer to the numbers used in the key in the <b>product overview</b> section.
	These characters are intended to specifically draw your attention to certain points when handling the product.

### 1.3 Product-dependent symbols

#### 1.3.1 Symbols on the product

The following symbols are used on the product:



2275356

	WARNING! Read and follow all safety precautions in the operator's manual. Failure to follow these instructions could result in serious or fatal injury.
	Direction-of-rotation arrow on the guard
	Engine stop position
	Engine run position
	Primer bulb
	Full-throttle jet adjusting screw
	Idling jet adjusting screw
	Idling adjusting screw
	Fuel mixture
	Fuel-tank cap opening direction
/min	Speed
RPM	Revolutions per minute
	Diameter
	Wireless data transfer

### 1.3.2 Hazard warning symbols

The following symbols are used on the product:

	General hazard
	Hazard due to flying sparks
	Hazard due to kickback
	Warning: Do not inhale toxic vapors or exhaust fumes
	Hazard due to hot surface
	Maximum spindle speed

### 1.3.3 Obligation symbols

The following symbols are used on the product:

	Wear ear protection, eye protection, respiratory protection and a hard hat
	Wear protective gloves
	Wear safety shoes

### 1.3.4 Prohibition symbols

The following symbols are used on the product:



	Do not use toothed cut-off wheels
	Do not use damaged cut-off wheels
	No smoking, no naked flame

## 1.4 Product information

products are designed for professional users and only trained, authorized personnel are permitted to operate, service and maintain the products. This personnel must be specifically informed about the possible hazards. The product and its ancillary equipment can present hazards if used incorrectly by untrained personnel or if used not in accordance with the intended use.

The type designation and serial number are printed on the rating plate.

- ▶ Write down the serial number in the table below. You will be required to state the product details when contacting Hilti Service or your local Hilti organization to inquire about the product.

### Product information

Cut-off saw	DSH 600-X
Generation	01
Serial no.	

## 1.5 Declaration of conformity

The manufacturer declares, on his sole responsibility, that the product described here complies with the applicable legislation and standards. A copy of the declaration of conformity can be found at the end of this documentation.

The technical documentation is filed here:

Hilti Entwicklungsgesellschaft mbH | Tool Certification | Hiltistrasse 6 | D-86916 Kaufering, Germany

## 2 Safety

### 2.1 General safety instructions

**WARNING Study all safety instructions and other instructions, images and technical data with which this product is provided.** Failure to comply with the instructions below can result in serious injuries or death. **Keep all safety precautions and instructions for future reference.**

### 2.2 Personal safety

- ▶ Use the right tool for the job. Do not use the tool for purposes for which it was not intended. Use it only as directed and when in technically faultless condition.
- ▶ Never tamper with or modify the power tool in any way.
- ▶ Only persons who are familiar with it, who have been trained on how to use it safely and who understand the resulting hazards are permitted to use the product. The product is not intended for use by children.
- ▶ Stay alert, watch what you are doing and use common sense when operating the product. Do not use the product while you are tired or under the influence of drugs, alcohol or medication. A moment of inattention while operating the product can result in serious personal injury.
- ▶ **Maintain a firm grip on the cut-off saw with both hands and position your body and arms to absorb kickback forces. Always use the auxiliary handle, if provided, for maximum control over kickback forces or torque reaction during start-up.** By adopting suitable precautionary measures the operator can control the kickback and reaction forces.
- ▶ The use of cutting tools other than those described in this documentation is not permitted.
- ▶ For wet cutting, do not use synthetically bonded abrasive wheels unless the wheels have been specified for such use by the wheel manufacturer.
- ▶ The use of reducing sleeves and/or knot wheel brushes is not permitted.
- ▶ The user and persons in the vicinity must wear suitable protective goggles, a hard hat, ear defenders, protective gloves, protective footwear and light respiratory protection while the tool is in use.
- ▶ Wear eye protection. Flying fragments present a risk of injury to the body and eyes.



- ▶ Dust from materials such as paint containing lead, some types of wood, minerals and metal can be harmful to health. Contact with or inhalation of the dust can cause allergic reactions and/or respiratory or other diseases to the operator or bystanders. To reduce the amount of dust produced when cutting, we recommend use of the wet cutting method. Make sure that the workplace is well ventilated. It is advisable to wear a filter class P2 dust mask. Comply with national regulations applicable to the materials you will be working with.
- ▶ Always hold the tool firmly with both hands on the grips provided. Keep the grips clean, dry and free from oil and grease.
- ▶ If there is an unwanted increase in speed, set the run/stop switch to the "stop" position. Contact **Hilti** Service.
- ▶ Releasing the throttle safety grip when the tool is running at full speed causes the tool to tip forward slightly due to the braking torque. Be prepared for this and grip the tool securely with both hands on the grips provided.
- ▶ Never use the tool without the guard (hood). Adjust the guard to the correct position. The guard must be securely attached and positioned for maximum safety, so that the smallest possible part of the cut-off wheel is exposed to the operator. Make sure that sparks created during use do not present a hazard. The guard helps to protect the operator from broken wheel fragments, inadvertent contact with the cut-off wheel and uncontrolled flying sparks.
- ▶ Do not touch rotating parts – risk of injury!
- ▶ Maintain a firm footing and balance at all times. This will allow you to control the product better, even in unexpected situations. Avoid unusual postures. When using the product, hold it in such a way that dust, flying sparks and possible flying fragments of the accessory tool or workpiece cannot hit you. Do not lean over the cut-off wheel.
- ▶ Wear suitable work clothes. Do not wear jewelry or loose clothing. Keep your hair, clothing and gloves away from moving parts. Loose clothes, jewelry or long hair can be snagged by moving parts.
- ▶ If the product or the cut-off wheel has been dropped or has fallen, check the product and the cut-off wheel for damage. Change the cut-off wheel if necessary.
- ▶ Switch the product off before adjusting the guard or changing the cut-off wheel.
- ▶ Wear protective gloves also when changing the accessory tool. Touching the cut-off wheel presents a risk of injury (cuts or burns).
- ▶ Avoid skin contact with the slurry created when using the wet cutting method.
- ▶ Cutting material containing asbestos is not permissible.
- ▶ Cutting or working on flammable materials such as magnesium or wood/wooden beams is not permissible.
- ▶ Take breaks between working and do relaxation and finger exercises to improve the blood circulation in your fingers. Exposure to vibration during long periods of work can lead to disorders of the blood vessels and nervous system in the fingers, hands and wrists.
- ▶ Consult the responsible structural engineer, architect or person in charge of the building project before starting work. Slits cut into load-bearing walls or other structures can influence the statics of the structure, especially when reinforcing bars or load-bearing components are cut.
- ▶ If work involves break-through, always secure the area on the side opposite where the work is carried out. Pieces of debris could drop out and/or fall down and injure other persons.
- ▶ Never leave the product running while unattended.
- ▶ Switch the engine off and wait until the cut-off wheel has come to a complete standstill before placing the product on the ground, moving it to the next working position, or transporting it.
- ▶ Make sure that the pump cover is installed if you operate the product without an external water pump.
- ▶ Switch the product off after use.
- ▶ Maintain the product carefully. Check whether parts are broken or damaged to the extent that the product is not in full working order. Have damaged parts repaired before using the product.
- ▶ To reduce the risk of injury, use only genuine **Hilti** tools and accessories.
- ▶ Have the product repaired only by qualified specialists using only genuine Hilti spare parts. The safety of the product can thus be maintained.
- ▶ Comply with national health and safety requirements.

### 2.3 Electrical safety

- ▶ Before beginning work, check the working area for concealed electric cables or gas and water pipes. External metal parts of the machine may give you an electric shock if you damage an electric cable accidentally.
- ▶ Organize in advance the work to be performed, after examining the location. Check whether warning signs have to be set up and a safe working distance from other persons defined.



## 2.4 Safety at the workplace

- ▶ Ensure that the workplace is well lit.
- ▶ Don't work in closed rooms. Carbon monoxide, unburned hydrocarbons and benzene in the exhaust gas may cause asphyxiation.
- ▶ Keep the workplace tidy. Objects which could cause injury should be removed from the working area. Untidiness at the workplace can lead to accidents.
- ▶ Hot exhaust gases containing sparks or sparks generated by the cutting operation may cause fire or explosion. Make sure that the sparks generated do not ignite flammable (gasoline, dry grass, etc.) or explosive (gas, etc.) substances.
- ▶ After installing the water pump, make sure that the screws are tightened to the recommended tightening torque.
- ▶ Before fitting the water pump, check to ensure that the maximum permitted water supply pressure of 6 bar is not exceeded.

## 2.5 Liquids (gasoline and oil) and vapors

- ▶ The inhalation of gasoline vapors and skin contact with gasoline may be hazardous to the health.
  - ▶ Avoid direct skin contact with gasoline. Wear protective gloves.
  - ▶ If your clothing becomes soiled with gasoline, it is essential to change your clothing.
  - ▶ Ensure that the workplace is well ventilated in order to avoid breathing in gasoline fumes.
  - ▶ Use a fuel canister that complies with the applicable regulations.
- ▶ Don't refuel the product while the engine is running. Wait until the engine has cooled down.
- ▶ Never smoke while refueling; there is a risk of fire and explosion.
- ▶ Do not refuel the product in the area where you are working (move at least 3 meters/10 feet clear of the workplace). When refueling, take care to avoid fuel spillage. Use a suitable funnel.
- ▶ Avoid inhaling gasoline vapors and exhaust fumes. Take care to ensure adequate ventilation.
- ▶ Don't use the gasoline or other flammable liquids for cleaning.

## 2.6 Cutting work using cut-off wheels

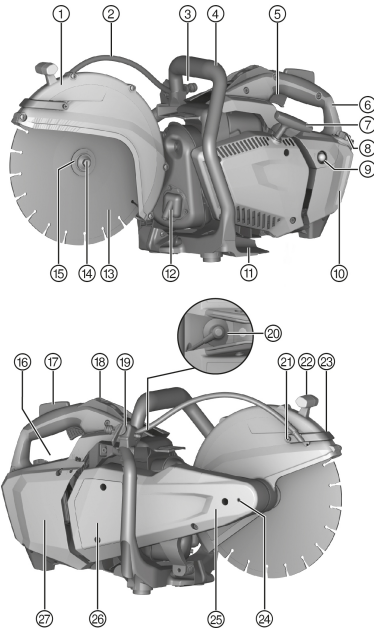
- ▶ Use only cut-off wheels with a rated maximum permissible speed at least as high as the maximum spindle speed.
- ▶ Check that the outside diameter and the thickness of the cut-off wheel comply with the capacity rating of the product.
- ▶ Never use cut-off wheels that are damaged, run untrue or vibrate.
- ▶ Do not use damaged diamond cut-off wheels (cracks in the steel wheel, broken or polished segments, damaged arbor hole, bent or distorted steel wheel, heavy wheeloloration due to overheating, steel wheel worn away beneath the segments, diamond segments with no lateral overhang, etc.).
- ▶ Do not use toothed accessory cutting tools (e.g. toothed saw blades).
- ▶ When fitting the cut-off wheel, always take care to ensure that the wheel's specified direction of rotation corresponds to the direction of rotation of the spindle. Always install only one cut-off wheel.
- ▶ The cut-off wheel and flange or any other accessory must fit the arbor of the product exactly. cut-off wheels with arbor holes that do not match the mounting hardware of the product will run out of balance, vibrate excessively and can lead to loss of control and to breakage of the cut-off wheel.
- ▶ Always use an undamaged clamping flange of the correct diameter which fits the cut-off wheel used. The correctly fitting clamping flange supports the cut-off wheel and thus reduces the possibility of wheel breakage.
- ▶ Guide the product smoothly and do not apply lateral pressure to the cut-off wheel. Always bring the cut-off wheel into contact with the workpiece at right angles. Don't attempt to alter the line of cut by applying lateral pressure or by bending the cut-off wheel while cutting is in progress.
- ▶ Abrasive cut-off wheels which are used for wet cutting must be used up the same day as long periods of exposure to moisture have a negative effect on the strength of the wheel.
- ▶ Never install a saw blade for cutting wood.
- ▶ Use only cut-off wheels that comply with the existing standards for cut-off wheels.
- ▶ Prior to installation and before use, check the cut-off wheel for damage. Do not install a damaged cut-off wheel. Comply with the requirements stated by the manufacturer of the cut-off wheel.
- ▶ Observe the expiry date for resin-bonded cut-off wheels and don't use the wheels after this date.



### 3 Description

#### 3.1 Product overview

##### 3.1.1 Gasoline-powered cut-off saw



- ① Guard
- ② Water supply
- ③ Water connection
- ④ Front grip
- ⑤ Throttle trigger
- ⑥ Rear grip
- ⑦ Recoil starter pull handle
- ⑧ Fuel tank cap
- ⑨ Primer bulb
- ⑩ Fuel level indicator
- ⑪ Footplate
- ⑫ Exhaust wheelcharge with spark filter
- ⑬ cut-off wheel
- ⑭ Clamping screw
- ⑮ Clamping flange
- ⑯ Rating plate
- ⑰ Safety grip with integrated brake actuation
- ⑱ Start/stop switch with integrated half-throttle lock
- ⑲ Water cock
- ⑳ Spark plug connector
- ㉑ Cleaning screw for water nozzle
- ㉒ Grip for guard adjustment
- ㉓ Curved water distributor with integrated water nozzles
- ㉔ Hole for locking pin for changing cut-off wheels
- ㉕ Saw arm
- ㉖ Pump cover
- ㉗ Air filter cover

#### 3.2 Intended use

The product described is a gasoline-powered cut-off saw for the wet or dry cutting of asphalt, mineral construction materials or metals using diamond cut-off wheels or abrasive cut-off wheels. The saw is not suitable for use in environments where there is risk of fire or explosion.

#### 3.3 Possible misuse

- ▶ “Shoveling” with the gasoline-powered saw is not permissible.

#### 3.4 Instructions for use

- Use of the wet cutting method is preferable in order to reduce the amount of dust produced when cutting. By using the self-priming water pump (accessory) you can work without need for a water supply hose. The water can be drawn, for example, directly from a container.
- Do not cut right through the workpiece in one pass. Move the saw back and forward several times until it gradually reaches the desired cutting depth.
- To avoid damaging the diamond cut-off wheel when dry cutting, lift the wheel out of the cut for approx. 10 seconds every 30 to 60 seconds while the saw is still running.
- Resharpener a polished diamond wheel (i.e. when no diamonds project from the segment matrix) by cutting with the wheel in a very abrasive material such as sandstone.



### 3.5 cut-off wheel specifications

Diamond wheels in accordance with EN 13236 are to be used with the product. Synthetic resin-bonded, fiber-reinforced cut-off wheels in accordance with EN 12413 (straight, not dish-shaped, type 41) may also be used with the product for working on metals.

The wheel mounting instructions and instructions for use issued by the cut-off wheel manufacturer must be observed.

### 3.6 Items supplied

DSH 600-X gasoline-powered saw, tools set, DSH 600-X wear parts and consumables set, operating instructions.

Other system products approved for use with this product can be found at your local **Hilti Store** or at: [www.hilti.group](http://www.hilti.group)

### 3.7 Saw blade brake

The product is equipped with an integrated saw blade brake to increase operator safety.

The saw blade is braked to a standstill in a maximum of 10 seconds after the throttle safety grip is released.



Releasing the throttle safety grip when the tool is running at full speed causes the tool to flick forward slightly because of the braking torque. So hold the tool firmly with both hands on the grips provided.

### 3.8 Consumables and wearing parts

- Air filter
- Cord
- Starter
- Fuel filter
- Spark plug
- Tool set
- Cylinder set
- Mounting screw assy.
- Flange for abrasive cut-off wheel (with integral centering ring 20 mm/1")
- Flange for diamond cut-off wheel (with integrated centering ring 20 mm/1")

## 4 Technical data

### 4.1 Gasoline-powered cut-off saw

	<b>DSH 600-X</b>
<b>Engine displacement</b>	63.3 cm <sup>3</sup>
<b>Weight with diamond wheel flange, without cut-off wheel, tank empty</b>	9.85 kg
<b>Rated power at 8500 rpm in accordance with ISO 7293</b>	3.2 kW
<b>Maximum spindle speed</b>	5,080 /min
<b>Max. rotational speed of the cut-off wheel</b>	5,080 /min
<b>Maximum cutting depth</b>	120 mm
<b>Carburetor</b>	Walbro; model: WT-1203

### 4.2 Additional technical data

	<b>DSH 600-X</b>
<b>Engine type</b>	Single-cylinder, air-cooled two-stroke engine
<b>Maximum engine speed</b>	8,700 /min
<b>Idle speed</b>	2900 ± 200 /min
<b>Ignition (type)</b>	Electronic



	<b>DSH 600-X</b>
<b>Electrode gap</b>	0.7 mm
<b>Spark plug</b>	NGK, type: CMR7A
<b>Tightening torque for fitting the spark plug</b>	12 Nm
<b>Fuel mixture</b>	API-TC oil 2% (1:50)
<b>Tank capacity</b>	0.87 ℓ
<b>cut-off wheel arbor size / diameter of centering bush</b>	20 mm
<b>cut-off wheel arbor size / diameter of centering bush</b>	25.4 mm
<b>⚠ Minimum flange outside diameter for diamond cut-off wheels (only for steel-core wheels; the flanges are marked with "FOR DIAMOND ABRASIVE STEEL CORE WHEELS ONLY")</b>	60 mm
<b>⚠ Minimum flange outside diameter for abrasive cut-off wheels (composite wheels)</b>	78 mm
<b>Maximum cut-off wheel outside diameter</b>	300 mm
<b>Maximum nominal cut-off wheel thickness (only for steel-core wheels)</b>	4.5 mm
<b>Maximum nominal cut-off wheel thickness (composite wheels)</b>	4.0 mm
<b>Tightening torque for fitting the cut-off wheel</b>	25 Nm

#### 4.3 Noise information and vibration values

The sound pressure and vibration values given in these instructions have been measured in accordance with a standardized test and may be used to compare one gasoline-powered saw with another. They may be used for a preliminary assessment of exposure.

The data given represents the main applications of the machine. However, if the machine is used for different applications, with different accessory tools or is poorly maintained, the data may vary. This may significantly increase exposure over the total working period.

An accurate estimation of exposure should also take into account the times when the machine is switched off, or when it is running but not actually being used for a job. This may significantly reduce exposure over the total working period.

Identify additional safety measures to protect the operator from the effects of noise and/or vibration, for example: Maintaining the machine and accessory tools, keeping the hands warm and organizing work patterns.

##### Noise emission values

<b>Emission sound pressure level in accordance with EN ISO 19432-1 (ISO 11201) (<math>L_{pa,eq}</math>)</b>	102 dB(A)
<b>Uncertainty</b>	1.9 dB(A)
<b>Measured sound power level in accordance with 2000/14/EC (ISO 3744) (<math>L_{wa}</math>)</b>	113 dB/1pW
<b>Uncertainty</b>	1.1 dB/1pW
<b>Guaranteed sound power level in accordance with 2000/14/EC (ISO 3744) (<math>L_{wa}</math>)</b>	115 dB/1pW

##### Total vibration

The sound pressure level and the vibration values were determined allowing for 1/7 no-load operation and 6/7 full-load operation.

<b>EN ISO 19432-1 vibration emission value at grip, front (<math>a_{hv,eq}</math>)</b>	$\leq 2.5 \text{ m/s}^2$
<b>Uncertainty</b>	$1.8 \text{ m/s}^2$
<b>EN ISO 19432-1 vibration emission value at grip, rear (<math>a_{hv,eq}</math>)</b>	$\leq 2.5 \text{ m/s}^2$
<b>Uncertainty</b>	$0.9 \text{ m/s}^2$





## 5 Before use

### 5.1 Fuel

The two-stroke engine runs on a mixture of gasoline and oil. The quality of the fuel mixture decisively influences operation and life expectancy of the engine.



#### WARNING

**Risk of injury.** The inhalation of gasoline vapors and skin contact with gasoline may be hazardous to the health.

- ▶ Avoid direct skin contact with gasoline. Wear protective gloves.
- ▶ If your clothing becomes soiled with gasoline, it is essential to change your clothing.
- ▶ Ensure that the workplace is well ventilated in order to avoid breathing in gasoline fumes.
- ▶ Use a fuel container that complies with the applicable regulations.

#### 5.1.1 Using two-stroke oil

- ▶ Use good-quality, two-stroke oil for air-cooled engines that meets at least the API-TC specification.

#### 5.1.2 Gasoline

- ▶ Use regular or super gasoline with an octane rating of at least 89 ROZ.



The alcohol content (e.g. ethanol, methanol or others) of the fuel used must not exceed 10%, otherwise the life expectancy of the engine will be greatly reduced.

#### 5.1.3 Mixing fuel



The engine will suffer damage if run with fuel mixed in the wrong ratio or with unsuitable oil.

Use a mixing ratio of 1:50. This corresponds to 1 part good-quality two-stroke oil that complies with the API-TC specification and 50 parts gasoline (e.g. 100 ml oil and 5 liters of gasoline mixed in a suitable canister).

1. Pour the required quantity of two-stroke oil into the fuel canister.
2. Pour the gasoline into the fuel canister.
3. Close the fuel canister.
4. Mix the fuel by shaking the fuel canister.



If the quality of the two-stroke oil or the gasoline is unknown, then increase the mixing ratio to 1:25.

#### 5.1.4 Filling the fuel tank

1. Mix the fuel (two-stroke oil / gasoline mixture) by shaking the fuel container.
2. Place the product in a steady upright position.
3. Open the fuel tank by turning the cap counterclockwise and then removing the cap.
4. Fill the tank slowly using a funnel.
5. Close the fuel tank by fitting the cap and then turning it clockwise.
6. Close the fuel canister.

### 5.2 Assembly and adjustment



#### WARNING

**Risk of injury.** Contact with the rotating cut-off wheel can lead to injury. Hot parts of the machine or a hot cut-off wheel may cause burning injuries.

- ▶ Before fitting or adjusting any parts of the product, make sure that the engine is switched off, that the cut-off wheel has completely stopped rotating and that the product has cooled down.
- ▶ Wear protective gloves.



## 5.2.1 Fitting a cut-off wheel



### WARNING

**Risk of injury and damage.** Unsuitable cut-off wheels or unsuitable parts used to secure the wheel can suffer irreparable damage during operation or lead to loss of control of the product or breakage of the accessory tool.

- ▶ Make sure that the cut-off wheel's maximum permissible speed is at least as high as the maximum spindle speed stated on the product. Use only cut-off wheels, flanges and screws that are suitable for your product.
- ▶ Use only cut-off wheels with a mounting hole diameter of 20 mm or 25.4 mm (1") and that are a correct fit on the centering bushing.
- ▶ Use only the large flange with a diameter of 78 mm (3") to secure an abrasive cut-off wheel.



### WARNING

**Risk of injury and damage.** Damaged cut-off wheels may break.

- ▶ If the cut-off wheel has been subjected to an impact, check the cut-off wheel for damage and replace it if necessary.
- ▶ Never use cut-off wheels that are damaged, run untrue or vibrate.
- ▶ Don't use synthetic resin-bonded fiber-reinforced cut-off wheels which have exceeded their use-by date or already softened due to water absorption.



### WARNING

**Risk of injury and damage.** Over-tightening securing screws can lead to damage or breakage of the securing screw itself or to the washer fitted to the securing screw.

- ▶ Be sure to tighten the securing screw to the specified tightening torque.
- ▶ Take care not to overtighten the securing screw.



### WARNING

**Risk of injury!** Incorrect installation or removal of the cut-off wheel can result in loose parts getting into the eyes and causing injuries.

- ▶ Always wear eye protection (protective goggles) when changing the accessory tool.

1. Insert the locking pin in the hole in the drive belt cover and turn the cut-off wheel until the locking pin engages.
2. Release the securing screw by turning the screw counterclockwise with the wrench and then remove the screw and washer.
3. Remove the locking pin.
4. Remove the clamping flange and the cut-off wheel.
5. Check that the diameter of the arbor hole in the cut-off wheel to be installed matches the centering collar of the cut-off wheel centering bushing.



The centering bushing has a 20 mm diameter centering collar on one side and a 25.4 mm (1") diameter centering collar on the other side.

6. Clean the clamping and centering surfaces on the product and on the cut-off wheel.
7. Select one of the following alternatives.

#### Alternative 1/2

- ▶ Use only the large flange to secure the abrasive cut-off wheel.

#### Alternative 2/2

- ▶ Use the small flange with diamond cut-off wheels in order to utilize the full cutting depth.

8. Place the cut-off wheel with centering collar on the drive arbor and check that the direction of rotation is correct.
  - ▶ The direction-of-rotation arrow on the cut-off wheel must match the direction of rotation indicated on the product.
9. Place the clamping flange and washer on the drive arbor and tighten the securing screw by turning it clockwise.
10. Insert the locking pin in the locking hole in the drive belt cover and turn the cut-off wheel until the locking pin engages.
11. Securely tighten the clamping screw (tightening torque: 25 Nm).



12. Remove the locking pin.

**CAUTION**

**Risk of injury and damage.** Damaged accessory tools can break.

- ▶ Never use an accessory tools that is damaged, runs out of true or vibrates.
- ▶ Keep clear of the danger zone.

13. After fitting a new cut-off wheel, run your product at full speed under no load for approximately 1 minute.

### 5.2.2 Adjusting the guard

**WARNING**

**Risk of injury.** Contact with the cut-off wheel, flying fragments or sparks can cause injury to persons.

- ▶ Adjust the guard so that flying particles or fragments of the material removed and flying sparks are directed away from the operator and the product.
- ▶ Hold the guard by the grip provided and rotate it to the desired position.



Make sure that the opening of the blade guard is not toward the user.

### 5.2.3 Fitting the water pump (accessory)

1. Switch the product off.
2. Release the three pump cover retaining screws, remove the parts and store the pump cover in a safe place.



The pump cover must be fitted if the tool is used without the water pump.

3. Hold the water pump in position and turn the cut-off wheel slightly to bring the splines of water pump and clutch bell into alignment so that the splines engage.
  - ▶ The position is keyed so it is not possible to position the pump incorrectly.
4. Install the three securing screws and tighten the securing screws.
  - ▶ **Tightening torque:** 8 Nm
5. Connect the pump hose to the hose connector on the saw.
6. Remove the protective cap from the end of the water connection hose.
7. Make sure that the water pressure in the water supply line is max. 6 bar.
  - ▶ Reduce the water pressure as necessary.
8. Connect the water pump to the water supply or immerse the end of the suction hose in a container filled with water.



Fit the protective cap to the end of the water connection hose when the water pump is not connected to a water supply.

### 5.2.4 Removing the water pump (accessory)

1. Switch the product off.
2. Disconnect the water supply from the water pump.
3. Fit the protective cap to the end of the water connection hose.
4. Disconnect the connector between the pump and the tool.
5. Release the three fastening screws on the pump and then remove the pump.
6. Place the pump cover in position.
7. Install the 3 securing screws and tighten the securing screws.
  - ▶ **Tightening torque:** 4 Nm

### 5.2.5 Fitting the wheel set (accessory)

1. Slacken the two bottom securing screws on the metal guard.
2. Secure the base plate with the two screws.
3. Secure the wheels and washers with the screws on both sides of the base plate.



## 6 Operation

### 6.1 Starting the engine

#### DANGER

**Risk of asphyxiation.** Carbon monoxide, unburned hydrocarbons and benzene in the exhaust gas may cause asphyxiation.

- ▶ Don't work in closed rooms, trenches or pits and make sure the area is well ventilated.

#### WARNING

**Risk of burning injury.** The exhaust system gets extremely hot when the engine is running. It stays hot for a long time after the engine is switched off.

- ▶ Wear protective gloves and avoid touching the exhaust system.
- ▶ Do not lay the product down on flammable material while hot.

#### WARNING

**Risk of injury.** A damaged exhaust system raises the noise level above the permissible limit and increases the risk of suffering hearing damage.

- ▶ Never use the product if the exhaust system is damaged, missing or if it has been tampered with.

#### WARNING

**Risk of injury if product is operated without the cover for the water pump correctly installed** Touching the water pump connection during operation leads to injuries.

- ▶ Before starting operation, make sure that the cover for the water pump is correctly installed.

#### WARNING

**Risk of injury due to substances and gases igniting.** Burns and fatalities can result.

- ▶ Do not use the product if flammable substances and gases are present.
- ▶ Ensure adequate ventilation.

#### CAUTION

**Risk of burns or injury through pinching the fingers when the water pump is fitted.** Touching the pump housing can cause burning injuries.

- ▶ Hold the forward grip only at the top and on the left side.

1. Press and hold down the throttle safety grip.
2. Press and hold down the throttle trigger.
3. Move the start/stop switch to the "start" position.
4. Release the throttle safety grip and throttle trigger.
  - ▶ The half-throttle position is activated.
5. Squeeze the primer bulb 2 to 3 times to fill the primer pump bulb with fuel only when starting with the engine cold.
6. Check that the cut-off wheel is free to rotate.
7. Place your left foot on the footplate.
8. Pull the recoil starter pull handle slowly with your right hand until resistance is perceptible.
9. Vigorously pull the recoil starter pull handle.
10. Repeat this procedure until the engine fires.
11. Briefly press the throttle trigger as soon as the engine fires.
  - ▶ This disengages the half-throttle position and the engine will idle when the throttle trigger is released.

### 6.2 Checks after starting the engine

1. Check that the cut-off wheel remains stationary when the engine is idling and, after briefly running at full-throttle speed, that the wheel again comes to a complete standstill.
  - ▶ If the cut-off wheel rotates when the engine is idling, reduce idling speed. If this is not possible, bring the product to **Hilti Service**.



2. Check that the run/stop switch is functioning correctly. Move the run/stop switch to the "Stop" position.
3. If the engine doesn't stop, compress the primer bulb. If the engine still doesn't stop, pull the spark plug connector off the spark plug and bring the product to **Hilti Service**.

### 6.3 Switching the engine off

#### WARNING

**Risk of injury.** A rotating cut-off wheel can break or shatter, possibly resulting in flying fragments.

- ▶ Allow the rotating cut-off wheel to come to a complete standstill before you lay the saw down.

1. Release the throttle trigger.
2. Move the start/stop switch to the "stop" position.
  - ▶ The engine stops.

### 6.4 Cutting techniques

There is a risk of kickback if the gasoline-powered saw comes into contact with the working surface in the area indicated.

Kickback is the result of product misuse and/or incorrect operating procedures or conditions. To prevent kickback, follow the safety instructions and the instructions for use below.

- ▶ Do not bring the accessory tool into contact with the working surface in the area marked.
- ▶ Allow the gasoline-powered saw to reach full speed before starting the cut.
- ▶ Apply pressure to the product so that the accessory tool enters the material slowly.
- ▶ Apply moderate pressure, adjusting the rate of advance to suit the material being cut.

A decrease in the rate of cutting progress may be an indication of blunt/dull ("polished") diamond segments. The diamond segments can be resharpened by making a few cuts in an abrasive material (**Hilti** sharpening plate or sand-lime block).

- ▶ Guide the gasoline-powered saw smoothly and without applying lateral pressure to the cut-off wheel.
- ▶ Always hold the gasoline-powered saw firmly with both hands on the grips provided. Keep the grips dry, clean and free from oil and grease.
- ▶ Make sure there is no-one in the working area and, in particular, in the direction in which the cut is to be made. Keep everyone approx. 15 m away from your workplace.

### 6.5 Avoiding stalling

If the cut-off wheel binds, the product tends to pull away from the operator.

#### CAUTION

**Risk of cut-off wheel breakage or kickback.** Application of excessive pressure causes distortion of the cut-off wheel. Sticking or stalling of the cut-off wheel increases the probability of kickback or cut-off wheel breakage.

- ▶ Avoid applying excessive pressure when cutting and don't allow the cut-off wheel to stick and stall.
- ▶ Don't attempt to make an excessively deep cut.
- ▶ Cutting through thick workpieces should be accomplished, as far as possible, by making a several cuts.
- ▶ Always cut only one workpiece at a time.
- ▶ Support slabs or large workpieces so that the kerf remains open during and after the cutting operation.

### 6.6 Avoiding kickback

Kickback is a sudden reaction to a pinched or snagged rotating wheel. Snagging or binding brings the rotating accessory tool to an abrupt stop. This causes the product to accelerate at the point of binding, in the direction opposite to the accessory tool's direction of rotation.

For example, if a cut-off wheel is snagged or pinched by the workpiece, the edge of the cut-off wheel entering the pinch point can dig into the surface of the material causing the cut-off wheel to climb out or kick back. If this happens the cut-off wheel moves toward or away from the operator. The further forward the cut-off wheel binds, the higher the probability of a kickback. cut-off wheels can also break under these conditions.

A kickback is the result of product misuse and/or incorrect operating procedures or conditions. It can be avoided by taking the proper precautions as described below. If the cut-off wheel binds when the product is cutting in the direction of the ground, the product can jump forward in an uncontrolled manner. If the cut-off



wheel binds when the product is cutting vertically, for example in a wall, the product can jump upward in an uncontrolled manner.

- ▶ Always bring the cut-off wheel into contact with the workpiece from above, with the throttle trigger fully depressed.
  - ▶ Allow the cut-off wheel to contact the workpiece only at a point below its rotational axis.
- ▶ Take special care when inserting the cut-off wheel in an existing kerf.

## 7 Care and maintenance



### WARNING

**Risk of injury.** Touching the rotating cut-off wheel or hot parts of the machine may lead to injury or burns.

- ▶ Switch the engine off and allow the product to cool down before all maintenance, repairs, cleaning or servicing.

### 7.1 Maintenance table

1 - Before starting work | 2 - Every six months | 3 - As necessary

	1	2	3
Check that all externally accessible nuts and screws are securely tightened.	x	x	x
Check that the tool is complete, in perfect condition and free of leaks. → repair as necessary	x		
Check for foreign matter. → repair as necessary	x		
Check that the controls are in full working order. → repair as necessary	x		
Check that the cut-off wheel is in perfect condition. → replace as necessary	x		
Check the fuel filter for clogging. → replace as necessary		x	x
Replace the air filter if the product does not start or engine performance fades noticeably.			x
Clean or replace the spark plug if the product does not start or is difficult to start.			x
Adjust the idling speed if the cut-off wheel does not slow to a standstill when the engine is idling.			x
Have the product repaired by <b>Hilti</b> Service if the drive belt slips when a load is applied to the cut-off wheel.			x

### 7.2 Cleaning or replacing the air filter



### ATTENTION

**Risk of damage.** Entry of dust causes irreparable damage to the product.

- ▶ Never operate the machine if the air filter is damaged or missing.
- ▶ When changing the air filter, the product should stand upright and should not be laid on its side. Take care to ensure that no dust finds its way onto the underlying filter screen.



Change the air filter if engine performance drops noticeably or if the engine becomes difficult to start.

1. Release the securing screw on the air filter cover and remove the cover.
2. Carefully remove the dust adhering to the air filter and the filter chamber (use a vacuum cleaner).
3. Remove the air filter.
4. Insert the new air filter.
5. Fit the air filter cover and tighten the retaining screws.



### 7.3 Replacing a broken starter cord **11**

#### ATTENTION

**Risk of damage.** The housing may suffer damage if the starter cord is too short.

► Never continue to use a broken starter cord. Replace it immediately.

1. Release the four securing screws and remove the starter assembly.
2. Release the two screws securing the cover and remove the cover.
3. Remove the remains of the broken starter cord from the spool and the pull handle.
4. Securely knot one end of the replacement starter cord and from above, pass the other end of the cord through the hole in the spool.
5. From below, pass the end of the cord through the hole in the starter housing and from below through the pull handle, and securely knot the end of the cord.
6. Pull a length of the starter cord out of the housing as shown in the illustration and pass it through the slot in the spool.
7. Hold the cord securely close to the slot in the spool and turn the spool clockwise as far as it will go.
8. Back the spool off at least  $\frac{1}{2}$  to max.  $1\frac{1}{2}$  turns, until the slot in the spool is in alignment with the opening in the starter housing.
9. Hold the spool securely and pull the cord out of the housing toward the pull handle.
10. Hold the cord taut, release the spool and allow the starter cord to be pulled in.
11. Pull the starter cord out as far as it will go and check that the spool can be turned by hand at least a further  $\frac{1}{2}$  turn clockwise. If this is not possible, spring tension must be reduced by turning the spool one full turn counterclockwise.
12. Install the cover and secure it with the two securing screws.
13. Place the starter assembly in position and carefully press it down. Pull the starter cord slightly until the coupling engages and the starter assembly is fully seated.
14. Secure the starter assembly with the four securing screws.

### 7.4 Replacing the fuel filter **12**



When refueling the product, take care to ensure that no dirt or foreign matter finds its way into the fuel tank.

1. Remove the cap from the fuel tank.
2. Pull the fuel filter out of the fuel tank.
3. Check the condition of the fuel filter.
  - Replace the fuel filter if it is very dirty or clogged.
4. Slide back the clip on the hose and remove the dirty fuel filter.
5. Fit a new fuel filter and secure it with the clip on the hose.
6. Push the fuel filter back into the fuel tank.
7. Close the fuel tank.

### 7.5 Cleaning the spark plug, setting the spark plug gap or replacing the spark plug **13**

#### CAUTION

**Risk of injury.** The spark plug and parts of the engine may be hot immediately after the product has been in use.

► Allow the product to cool down before undertaking maintenance or cleaning.

1. Use a gentle twisting motion to pull the cable connector off the spark plug.
2. Use the spark plug wrench to unscrew and remove the spark plug from the cylinder.
3. If necessary, clean the spark plug electrode with a soft wire brush.
4. Check the spark plug gap and, if necessary, adjust it to the correct gap of 0.7 mm with a feeler gauge.
5. Fit the ignition cable connector to the spark plug and hold the threaded section of the spark plug against the cylinder.
6. Move the run/stop switch to the "start" position.



**WARNING**

**Risk of injury.** Touching the electrodes presents a risk of electric shock.

- ▶ Don't touch the spark plug electrodes.
- 
7. Pull the starter handle.
    - ▶ An ignition spark must now be clearly visible.
  8. Use the spark plug wrench to screw the spark plug into the cylinder (tightening torque: 12 Nm).
  9. Fit the ignition cable connector to the spark plug.

**7.6 Adjusting the carburetor 14**

The carburetor of this product has been factory set for optimum performance and sealed to prevent tampering (jets H and L). The idling speed of the machine (jet T) may be adjusted by the user. All other adjustments must be carried out by **Hilti Service**.



Tampering with the carburetor settings may cause damage to the engine.

- ▶ Clean the air filter. → page 14
- ▶ Allow the product to run until it reaches its normal operating temperature.
- ▶ Use a suitable flat screwdriver (tip width 4 mm/  $\frac{5}{32}$  ") and do not force the adjusting screw beyond its intended adjustment range.
- ▶ Adjust the idling speed jet (T) so that the engine runs smoothly when idling but the cut-off wheel does not begin to rotate.

**7.7 Cleaning the water nozzles 15**

1. Remove the cleaning screw on the curved water distributor.
2. Use a wire to clean the water nozzles.
3. Fit the cleaning screw.

**7.8 Care of the product**

To help ensure safe and reliable operation, use only genuine Hilti spare parts and consumables. Spare parts, consumables and accessories approved by **Hilti** for use with your product can be found at your **Hilti Store** or online at: [www.hilti.group](http://www.hilti.group)

- ▶ Keep the product, especially its gripping surfaces, clean and free from oil and grease.
- ▶ Do not use cleaning agents containing silicone.
- ▶ Clean the outer surfaces of the machine at regular intervals with a slightly damp cloth or a dry brush. Do not use a spray, steam pressure cleaning equipment or running water for cleaning.
- ▶ Do not allow foreign objects to enter the interior of the product.

**7.9 Maintenance**

1. Check all external parts of the product and the accessories for damage at regular intervals and check that all controls operate faultlessly.
2. Do not use the product if parts are damaged or if operating controls do not function faultlessly. Have the product repaired by **Hilti Service**.

**7.10 Checks after care and maintenance work**

- ▶ After carrying out care and maintenance, check that all protective and safety devices are fitted and that they function faultlessly.

**8 Transport and storage****General instructions for transporting the product**

- ▶ Switch the product off before transporting it.
- ▶ Remove the cut-off wheel from the product after use. The cut-off wheel may suffer damage during transport with the cut-off wheel fitted.





- ▶ Handle cut-off wheels carefully and store cut-off wheels in accordance with the manufacturer's instructions.
- ▶ Always store and transport the product in an upright position, not lying on its side.
- ▶ Do not transport the product by crane.
- ▶ Store the product in a secure place when not in use. Products which are not in use must be stored in a dry, high place or locked away out of reach of children.
- ▶ When setting the product down, make sure that it stands securely.
- ▶ After use, allow the product to cool down before packing it away or placing a cover over it.
- ▶ Store gasoline and oil in a well-ventilated room in fuel containers that comply with regulations.

### 8.1 Transporting the product in a vehicle

#### WARNING

**Risk of fire and explosion.** If the product tips over during transport, fuel may run out of the fuel tank.

- ▶ Empty the product's fuel tank completely before packing and shipping it.
- ▶ Transport the product, as far as possible, in its original packaging.

#### WARNING

**Fire hazard.** Hot parts of the machine could ignite material lying about in the surrounding area.

- ▶ Allow the product to cool down completely before packing it away or loading it into a vehicle..

1. Remove the cut-off wheel.
2. Secure the product to prevent it falling over, thereby causing damage or fuel spillage.

### 8.2 Storing the fuel mixture

#### CAUTION

**Risk of injury.** As pressure may build up in the fuel tank there is a risk of fuel being forced out when the fuel cap is opened.

- ▶ Always open the cap of the fuel tank carefully so that the pressure is relieved gradually.
- ▶ Store the fuel in a dry, well-ventilated room.

1. Mix only enough fuel for a few days' use.
2. Clean the fuel container occasionally.

## 9 Troubleshooting

If the trouble you are experiencing is not listed in this table or you are unable to remedy the problem by yourself, contact **Hilti Service**.

Trouble or fault	Possible cause	Action to be taken
cut-off wheel slows down or stops completely while cutting	Excessive cutting pressure applied (cut-off wheel stalls in the kerf) or pressure applied to the cut-off wheel from the side.	▶ Reduce pressure when cutting and guide the product in a straight line.
	The cut-off wheel is not correctly fitted and tightened.	▶ Check how it is fitted and the tightening torque.
	Wrong direction of rotation.	▶ Fit the cut-off wheel. → page 10
	The forward section of the saw arm is loose.	▶ Have the product repaired by <b>Hilti Service</b> .
High vibration, wheel wanders off the cutting line.	The cut-off wheel is not correctly fitted and tightened.	▶ Check how it is fitted and the tightening torque.
	cut-off wheel is damaged (or unsuitable specification, cracked, segments missing, bent, overheated, deformed, etc.).	▶ Change the cut-off wheel.



Trouble or fault	Possible cause	Action to be taken
High vibration, wheel wanders off the cutting line.	The centering bushing is fitted incorrectly.	<ul style="list-style-type: none"> <li>▶ Check that the diameter of the arbor hole in the cut-off wheel matches the centering collar of the cut-off wheel centering bushing.</li> </ul>
The diamond cut-off wheel swings up and may jam.	Diamond cut-off wheel does not fit correctly	<ul style="list-style-type: none"> <li>▶ Use <b>Hilti</b> cut-off wheels.</li> </ul>
	Flange for diamond cut-off wheel does not fit correctly	<ul style="list-style-type: none"> <li>▶ Verwenden Sie bei Wettbewerbs-Trennscheiben den Flansch für abrasive Trennscheiben.</li> </ul>
The saw doesn't start or is difficult to start.	The fuel tank is empty (no fuel in the carburetor).	<ul style="list-style-type: none"> <li>▶ Fill the fuel tank. → page 9</li> </ul>
	Air filter clogged with dirt or dust.	<ul style="list-style-type: none"> <li>▶ Change the air filter.</li> </ul>
	The engine is flooded (spark plug wet).	<ul style="list-style-type: none"> <li>▶ Dry the spark plug and the cylinder chamber (Removing spark plug → page 15).</li> </ul>
	Wrong fuel mixture.	<ul style="list-style-type: none"> <li>▶ Empty the fuel tank and flush out the tank and fuel supply line.</li> <li>▶ Fill the fuel tank with the correct fuel.</li> </ul>
	Air in the fuel line (no fuel reaching the carburetor).	<ul style="list-style-type: none"> <li>▶ Remove the air from the fuel line by operating the fuel pump several times.</li> </ul>
	The fuel filter is dirty or blocked (no fuel or too little fuel reaching the carburetor).	<ul style="list-style-type: none"> <li>▶ Clean the fuel tank and change the fuel filter.</li> </ul>
	No ignition spark visible or spark is too weak (seen when spark plug is removed).	<ul style="list-style-type: none"> <li>▶ Clean the spark plug to remove carbon deposits.</li> <li>▶ Check the spark plug electrode gap and set it correctly.</li> <li>▶ Change the spark plug.</li> <li>▶ Check the ignition coil, cable, plug connections and switch and change the defective part if necessary.</li> </ul>
	Engine compression is too low.	<ul style="list-style-type: none"> <li>▶ Check the engine compression and, if necessary, replace worn parts (piston rings, piston, cylinder, etc.).</li> </ul>
	The ambient temperature is too low.	<ul style="list-style-type: none"> <li>▶ Allow the saw to warm up to room temperature and repeat the starting procedure.</li> </ul>
Low engine power / poor cutting performance	The spark arrestor or exhaust exit is clogged.	<ul style="list-style-type: none"> <li>▶ Clean the spark arrestor or exhaust exit.</li> </ul>
	Air filter clogged with dirt or dust.	<ul style="list-style-type: none"> <li>▶ Change the air filter.</li> </ul>
Low engine power / poor cutting performance	No ignition spark visible or spark is too weak (seen when spark plug is removed).	<ul style="list-style-type: none"> <li>▶ Clean the spark plug to remove carbon deposits.</li> <li>▶ Check the spark plug electrode gap and set it correctly.</li> <li>▶ Change the spark plug.</li> <li>▶ Check the ignition coil, cable, plug connections and switch and change the defective part if necessary.</li> </ul>



Trouble or fault	Possible cause	Action to be taken
Low engine power / poor cutting performance	Wrong fuel mixture.	<ul style="list-style-type: none"> <li>▶ Empty the fuel tank and flush out the tank and fuel supply line.</li> <li>▶ Fill the fuel tank with the correct fuel.</li> </ul>
	The cut-off wheel specification is unsuitable for the material to be cut.	▶ Change the cut-off wheel or consult <b>Hilti Service</b> .
	Drive belt or cut-off wheel slips.	<ul style="list-style-type: none"> <li>▶ Check that the cut-off wheel is clamped securely.</li> <li>▶ Have the product repaired by <b>Hilti Service</b>.</li> </ul>
	Engine compression is too low.	▶ Check the engine compression and, if necessary, replace worn parts (piston rings, piston, cylinder, etc.).
	The product is used at an altitude greater than 1500 meters above sea level.	▶ Have the carburetor adjusted by <b>Hilti Service</b> .
	Incorrect carburetor setting (fuel / air mixture).	▶ Have the carburetor adjusted by <b>Hilti Service</b> .
cut-off wheel rotates while the engine is idling.	Idling speed is too high.	▶ Check the idling speed and adjust it if necessary.
	The half-throttle position is engaged.	▶ Release the half-throttle position.
	Faulty centrifugal clutch.	▶ Change the centrifugal clutch.
cut-off wheel doesn't rotate.	Inadequate drive belt tension or the drive belt is broken.	▶ Have the product repaired by <b>Hilti Service</b> .
Starter assembly doesn't work.	The clutch claws are not engaging.	▶ Clean the clutch claws so that they move freely.
Saw blade rotates for longer than 15 seconds after the throttle safety grip is released.	Brake strap is worn.	▶ Have the product repaired by <b>Hilti Service</b> .
	Action of Bowden cable for brake is stiff.	▶ Have the product repaired by <b>Hilti Service</b> .

## 10 Disposal

Most of the materials from which **Hilti** products are manufactured can be recycled. The materials must be correctly separated before they can be recycled. In many countries, your old tools, machines or appliances can be returned to **Hilti** for recycling. Ask **Hilti Service** or your Hilti representative for further information.

### Drilling slurry

Disposal of drilling slurry directly into rivers, lakes or the sewerage system without suitable pretreatment presents environmental problems.

- ▶ Ask the local public authorities for information about current regulations.

We recommend the following pretreatment:

- ▶ Collect the drilling slurry (for example, using a wet-type vacuum cleaner).
- ▶ Allow the drilling slurry to settle and dispose of the solid material at a construction waste disposal site (addition of a flocculent may accelerate the settling process).
- ▶ The remaining water (alkaline, pH value greater than 7) must be neutralized by the addition of an acidic neutralizing agent or diluted with a large volume of water before it is allowed to flow into the sewerage system.

## 11 Manufacturer's warranty

- ▶ Please contact your local **Hilti** representative if you have questions about the warranty conditions.





# EC Declaration of Conformity | UK Declaration of Conformity



**Manufacturer:**  
**Hilti Corporation**  
Feldkircherstraße 100  
9494 Schaan | Liechtenstein

**UK Importer:**  
**Hilti (Gt. Britain) Limited**  
1 Trafford Wharf Road, Old Trafford  
Manchester, M17 1BY

**DSH 600-X (01)**

Serial Numbers: 1-9999999999

2006/42/EC | Supply of Machinery (Safety) Regulations 2008

EN ISO 19432-1:2020

EN ISO 14982:2009

2014/30/EU | Electromagnetic Compatibility Regulations 2016

EN 55012:2007 + A1:2009

2011/65/EU | The Restriction of the Use of Certain Hazardous Substances in Electrical and Electronic Equipment Regulations 2012

2000/14/EC | Noise Emission in the Environment by Equipment for use Outdoors Regulations 2001

Details to 2000/14/EC | Noise Emission in the Environment by Equipment for use Outdoors Regulations 2001:

Measured sound power level  $L_{WA}$ : 113 dB/1pW

Guaranteed sound power level,  $L_{WAd}$ : 115 dB/1pW

Conformity assessment procedure: 2000/14/EC Annex V | Noise Emission in the Environment by Equipment for use Outdoors Regulations 2001, Schedule 8

**Dr. Tahar Zrilli**  
Head of Quality and Process Management  
Business Area Electric Tools & Accessories

Schaan, 03.08.2021

**Johannes Wilfried Huber**  
Senior Vice President  
Business Unit Diamond

**UK  
CA**







Hilti Corporation  
LI-9494 Schaan  
Tel.:+423 234 21 11  
Fax:+423 234 29 65  
[www.hilti.group](http://www.hilti.group)



2275356