



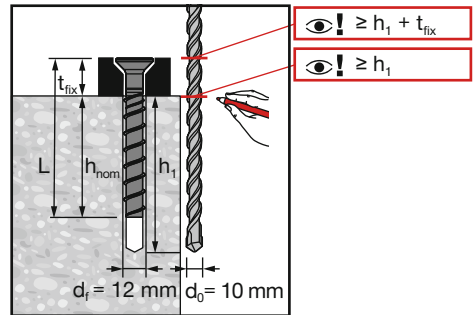
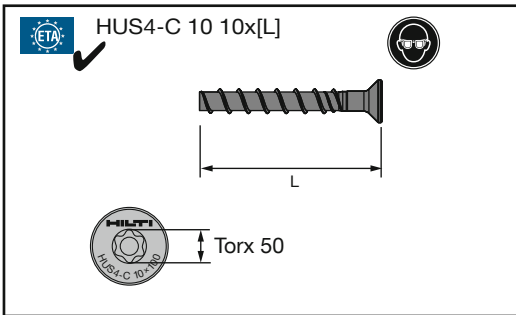
2310567-03.2025

① **CE**
25
Hilti AG
LI-9494 Schaan
Hilti Werke
2873-CPR-201-72
ETA-20/0867
Notified body 2873
EAD 330232-01-0601
Product for fixing to- or connecting/supporting of building structures
www.hilti.group

② **CE**
25
Hilti AG,
LI-9494 Schaan
Hilti Werke
2873-CPR-201-83
ETA-23/0936
Notified body 2873
EAD 330460-00-0604
Product for fixing to- or connecting/supporting of building structures
www.hilti.group

③ **CE**
22
Hilti AG,
LI-9494 Schaan
Hilti Werke
2873-CPR-201-78
ETA-21/0969
Notified body 2873
EAD 332347-00-0601
Product for fixing to- or connecting/supporting of building structures
www.hilti.group

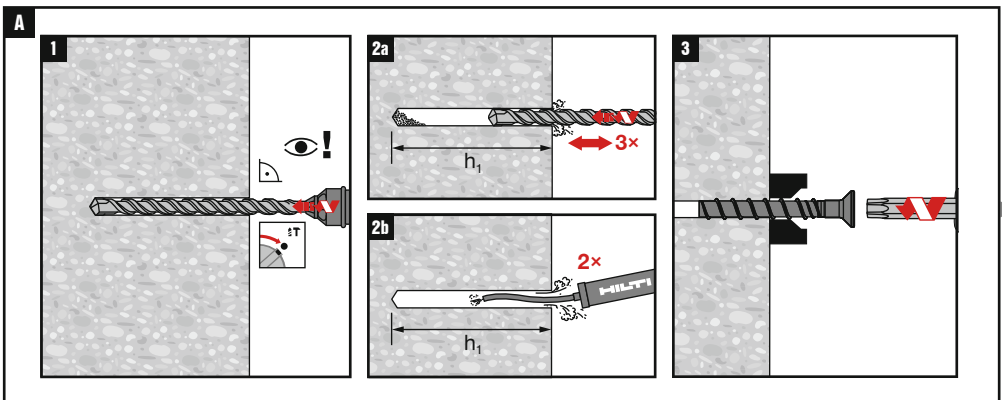
	①	②	③
HUS4-C 10 × 70	✓		
HUS4-C 10 × 90	✓	✓	
HUS4-C 10 × 100	✓	✓	✓
HUS4-C 10 × 120	✓	✓	✓
HUS4-C 10 × 175	✓	✓	✓



	h_{nom} [mm]
	≥ 55

	$h_1 = h_{nom} + 30 \text{ mm}$	2a
	$h_1 = h_{nom} + 10 \text{ mm}$	2b

SIW 6AT-A22 1/2", SIW 4AT-22 1/2"	
SIW 6-22 1/2", SIW 6AT-22 1/2"	✓
SIW 22T-A 1/2", SIW 22T-A 3/4"	✓
SIW 9-A22 3/4"	✓
SIW 8-22 1/2"	✓
SF 4-22, SF 6-22	



4 optional

4a

max. 10 mm

max. 2x

	h_{nom} [mm]	
	< 60	
	≥ 60	

5

4b

h_{nom}

max. 10 mm

B

Hilti TD ✓

ETA ✗

1

e.g. PS 50, PS 300

2

≥ 50 mm

3

≥ 30 mm

4

5